

# Fast Fourier Transform

Přemysl Šůcha

Based on the texts: Ananth Grama, Anshul Gupta, George Karypis, and Vipin Kumar  
``Introduction to Parallel Computing'', Addison Wesley, 2003, and  
Paul Heckbert ``Fourier Transforms and the Fast Fourier Transform (FFT) Algorithm'',  
Carnegie Mellon School of Computer Science, 1998.

# Topic Overview

- Introduction to Fast Fourier Transform
- Binary-Exchange algorithm
- Transpose algorithm

# Introduction to Fast Fourier Transform

- The discrete Fourier transform (DFT) plays an important role in many applications, including **digital signal processing, image filtering**, solutions to **linear partial differential equations**, convolution ...
- The DFT is a linear transformation that **maps  $n$  regularly sampled points** from a cycle of a periodic signal onto an equal number of points representing the **frequency spectrum** of the signal.
- In 1965, Cooley and Tukey devised an algorithm to compute the DFT of an  $n$ -point series in  $O(n \log n)$  operations. Its variations are referred to as the **Fast Fourier Transform (FFT)**.

# The Serial Algorithm

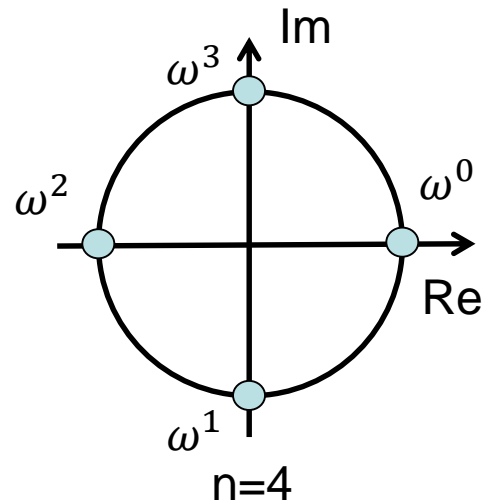
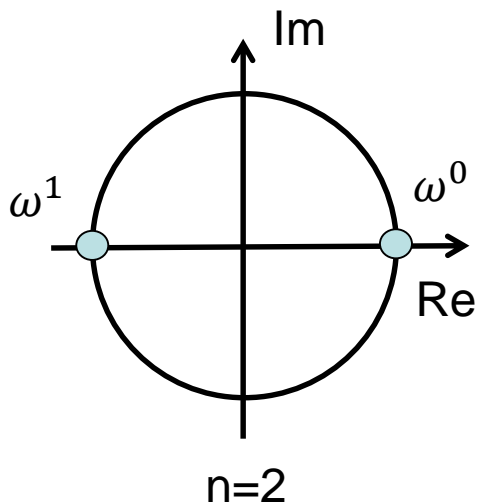
- Consider a sequence  $X = \langle X[0], X[1], \dots, X[n-1] \rangle$  of length  $n$ . The discrete Fourier transform of the sequence  $X$  is the sequence  $Y = \langle Y[0], Y[1], \dots, Y[n-1] \rangle$ , where

$$Y[l] = \sum_{k=0}^{n-1} X[k] \omega^{kl}, 0 \leq l < n$$

- $\omega$  is the  **$n$ -th root of unity** in the complex plane; that is  $\omega = e^{2\pi\sqrt{-1}/n}$ .

# The Serial Algorithm

- The powers of  $\omega$  used in an FFT computation are also known as **twiddle factors**.
- Note:  $\omega = e^{2\pi\sqrt{-1}/n} = \cos\left(\frac{2\pi}{n}\right) + i \sin\left(\frac{2\pi}{n}\right)$



- Power of roots of unity are **periodic** with period  $n$ .

# The Serial Algorithm

- The **sequential complexity** of computing the entire sequence  $Y$  of length  $n$  is  $O(n^2)$ .
- The **fast Fourier transform** algorithm reduces this complexity to  $O(n \log n)$ .
- The FFT algorithm is based on the idea that permits an  $n$ -point DFT computation to be **split into two  $(n/2)$ -point DFT** computations.

## Two-point DFT (n=2)

- For  $n=2$  the twiddle factor is  $\omega = e^{2\pi\sqrt{-1}/n} = e^{-\pi i} = -1^{(*)}$ .
- Then DFT is:

$$\begin{aligned} Y[l] &= \sum_{k=0}^{n-1} X[k] (-1)^{kl} = X[0](-1)^{l0} + X[1](-1)^{l1} = \\ &= X[0] + X[1](-1)^l \end{aligned}$$

so

$$Y[0] = X[0] + X[1] \quad \text{and} \quad Y[1] = X[0] - X[1]$$

<sup>(\*)</sup>  $e^{i\theta} = \cos \theta + i \sin \theta$

## Four-point DFT (n=4)

- For  $n=4$  the twiddle factor is  $\omega = e^{-i\pi/2} = -i$ .
- Then DFT is:

$$Y[l] = \sum_{k=0}^{n-1} X[k] (-i)^{kl} =$$
$$= X[0] + X[1](-i)^l + X[2](-1)^l + X[3]i^l$$

so

$$Y[0] = X[0] + X[1] + X[2] + X[3],$$
$$Y[1] = X[0] - iX[1] - X[2] + iX[3],$$
$$Y[2] = X[0] - X[1] + X[2] - X[3],$$
$$Y[3] = X[0] + iX[1] - X[2] - iX[3].$$



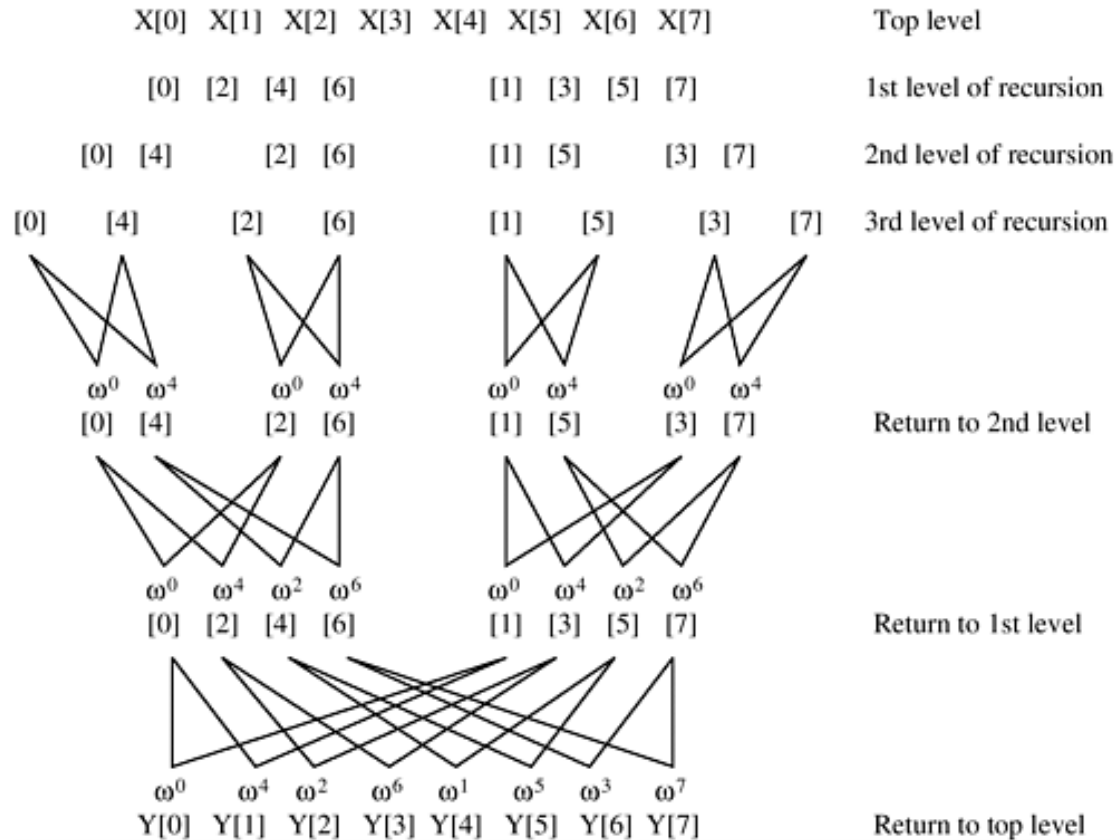
## Four-point DFT (n=4)

- To compute Y faster, we can precompute common subexpressions:

$$\begin{aligned}Y[0] &= (X[0] + X[2]) + (X[1] + X[3]), \\Y[1] &= (X[0] - X[2]) - i(X[1] - X[3]), \\Y[2] &= (X[0] + X[2]) - (X[1] + X[3]), \\Y[3] &= (X[0] - X[2]) + i(X[1] - X[3]).\end{aligned}$$

- Pre-computation of brackets in two-point DFT can **save a lot of addition operations.**

# A recursive unordered FFT



If  $n$  is a power of two (e.g. 8 in the figure above), each of these DFT computations can be divided similarly into smaller computations in a recursive manner. This leads to the recursive FFT algorithm. 10

# The Serial Algorithm

- This FFT algorithm is called the **radix-2 algorithm** because at each level of recursion, the **input sequence is split into two equal halves**.

```
1. procedure R_FFT(X, Y, n, w)
2.   if (n = 1) then Y[0] := X[0] else
3.   begin
4.     R_FFT(<X[0], X[2], ..., X[n - 2]>, <Q[0], Q[1], ..., Q[n/2]>, n/2, w2);
5.     R_FFT(<X[1], X[3], ..., X[n - 1]>, <T[0], T[1], ..., T[n/2]>, n/2, w2);
6.     for i := 0 to n - 1 do
7.       Y[i] := Q[i mod (n/2)] + wi T[i mod (n/2)];
8.   end R_FFT
```

# The Serial Algorithm

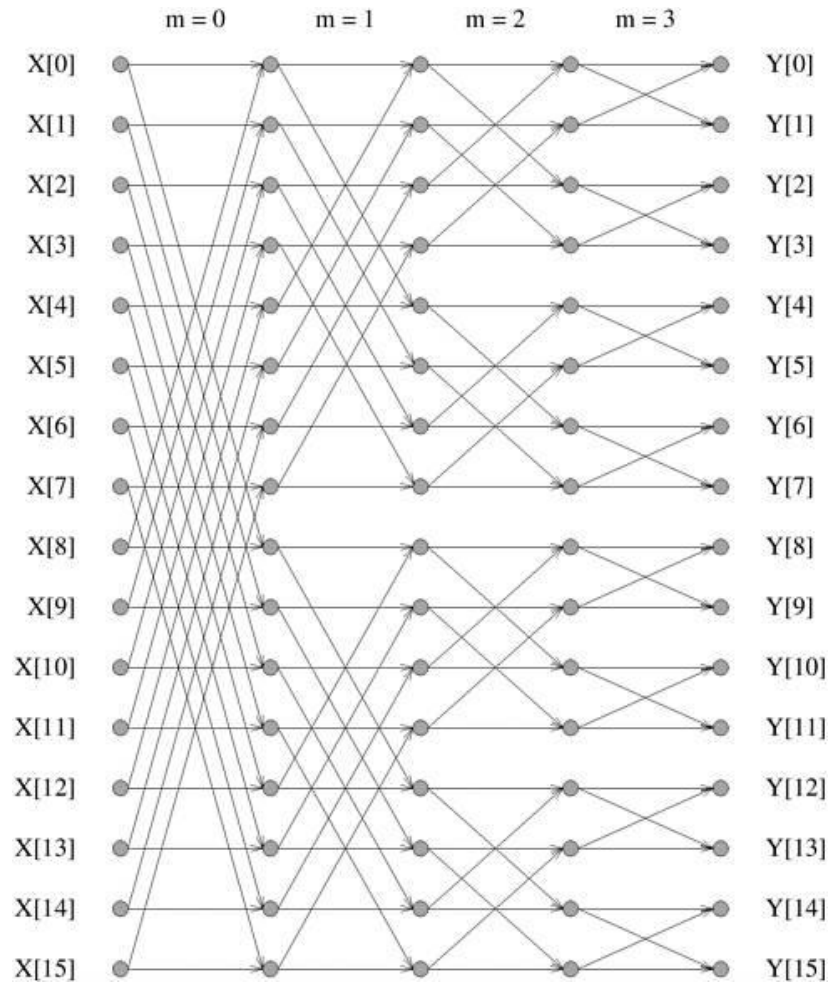
- The maximum **number of levels of recursion** is  $\log n$  for an initial sequence of length  $n$ .
- The total number of **arithmetic operations** (line 7) at each level is  $O(n)$ .
- The overall **sequential complexity** of the algorithm is  $O(n \log n)$ .
- The serial FFT algorithm can also be cast in an **iterative form**.
- An iterative FFT algorithm is derived by casting each level of recursion, starting with the deepest level, as an iteration.

# Cooley-Tukey algorithm

- The **outer loop** (line 5) is executed  $\log n$  times for an  $n$ -point FFT, and the **inner loop** (line 8) is executed  $n$  times during each iteration of the outer loop.

```
1. procedure ITERATIVE_FFT(X, Y, n)
2. begin
3.     r := log n;
4.     for i := 0 to n - 1 do R[i] := X[i];
5.     for m := 0 to r - 1 do          /* Outer loop */
6.         begin
7.             for i := 0 to n - 1 do S[i] := R[i];
8.             for i := 0 to n - 1 do /* Inner loop */
9.                 begin
10.                    /* Let (b0b1 ... br -1) be the binary representation of i */
11.                    j := (b0...bm-1 0 bm+1...br -1);
12.                    k := (b0...bm-1 1 bm+1...br -1);
13.                    R[i] := S[j] + S[k] x  $\omega^{(bm, bm-1, b0, 0, \dots, 0)}$ ;
14.                endfor; /* Inner loop */
15.            endfor; /* Outer loop */
16.        for i := 0 to n - 1 do Y[i] := R[i];
17.    end ITERATIVE_FFT
```

# Cooley-Tukey algorithm

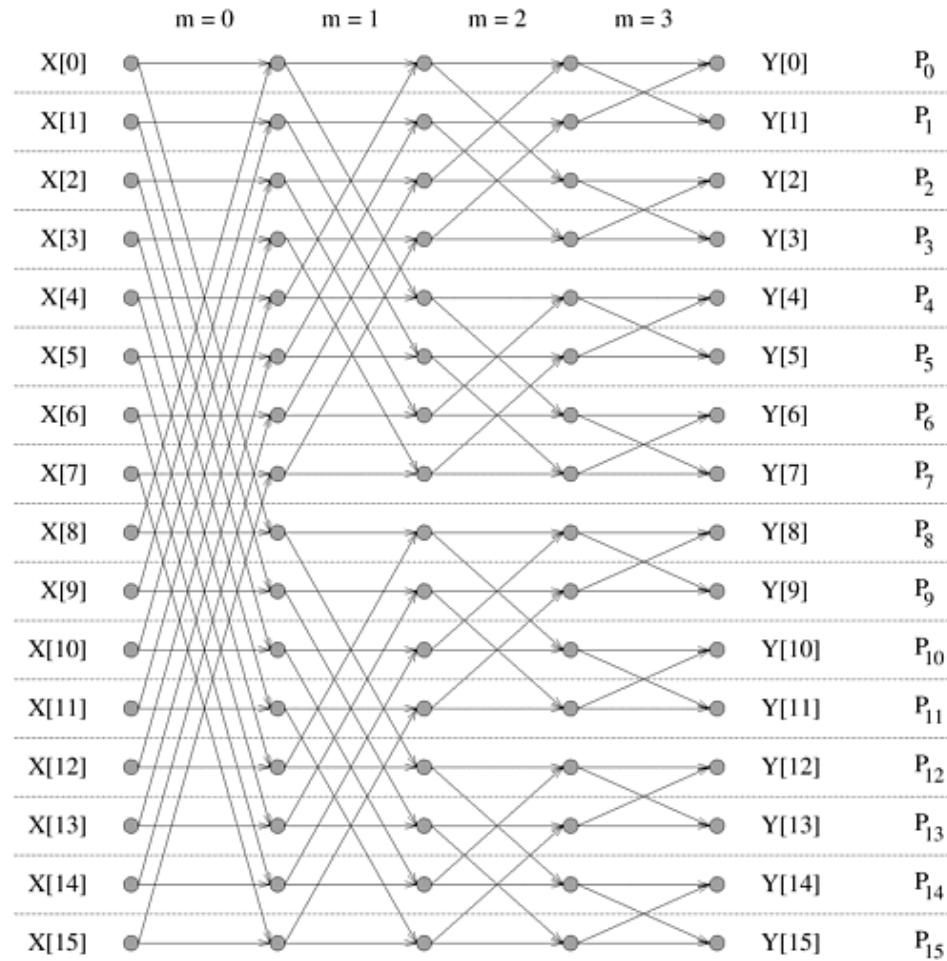


The pattern of combination of elements of the input and the intermediate sequences during a **16-point** unordered **FFT** computation. 14

## Binary-Exchange algorithm

- The decomposition for the parallel algorithm is induced by **partitioning the input or the output vector**.
- We first consider a simple mapping in which one task is assigned to each process.
- Each **task starts with one element of the input vector** and computes the corresponding element of the output. Process  $i$  ( $0 \leq i < n$ ) initially stores  $X[i]$  and finally generates  $Y[i]$ .
- In each of the  $\log n$  iterations of the outer loop, **process  $P_i$  updates the value of  $R[i]$**  by executing line 12 of Cooley-Tukey algorithm.
- All  $n$  updates are performed in parallel.

# 16-point FFT on 16 processes



Parallel mapping where one task is assigned to each process.



# Binary-Exchange algorithm

- To perform the updates, process  $P_i$  requires an element of  $S$  from a process whose label **differs from  $i$  at only one bit**.
- Parallel FFT computation maps naturally onto a **hypercube** with a one-to-one mapping of processes to nodes.
- In each of the  $\log n$  iterations of this algorithm, every process performs one **complex multiplication and addition**, and **exchanges** one complex number with another process.
- Now consider a mapping in which the  $n$  are mapped onto  $p$  processes.

# Binary-Exchange algorithm

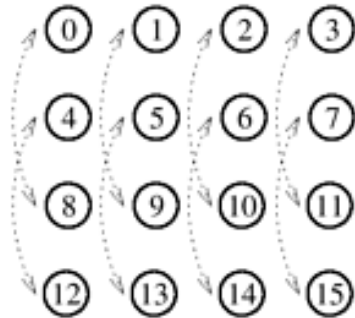
- For the sake of simplicity, let us assume that both  $n$  and  $p$  are powers of two, i.e.,  $n = 2^r$  and  $p = 2^d$ .
- Elements with indices differing at their  $d$  ( $= 2$ ) most significant bits are mapped onto different processes, i.e. there is **no interaction during the last  $r - d$  iterations.**
- Each interaction operation **exchanges  $n/p$  words of data.** The time spent in communication in the entire algorithm is  $t_s \log p + t_w (n/p) \log p$ .
- The **parallel run time** of the algorithm on a  $p$ -node hypercube network is

$$T_P = t_c \frac{n}{p} \log n + t_s \log p + t_w \frac{n}{p} \log p.$$

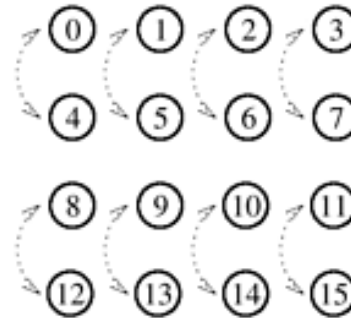
# Transpose Algorithm

- The binary-exchange algorithm yields good performance on parallel computers with sufficiently **high communication bandwidth** with respect to the processing speed of the CPUs.
- The simplest transpose algorithm requires a single **transpose operation** over a **two-dimensional array**; we call this algorithm the **two-dimensional transpose algorithm**.
- Assume that  $\sqrt{n}$  is a power of 2, and that the input sequence of size  $n$  is arranged in a  $\sqrt{n} \times \sqrt{n}$  two-dimensional square array.

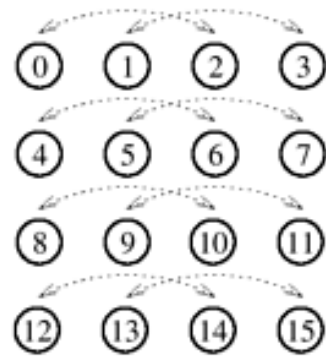
# Two-dimensional transpose



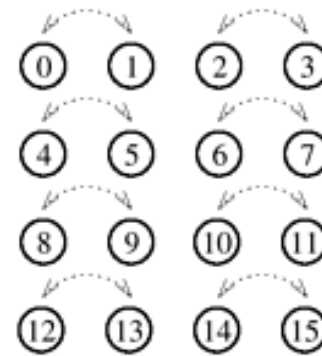
(a) Iteration  $m = 0$



(b) Iteration  $m = 1$



(c) Iteration  $m = 2$



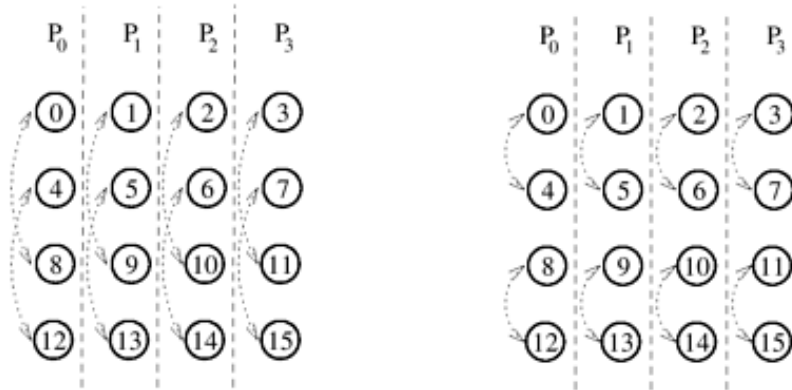
(d) Iteration  $m = 3$

The pattern of combination of elements in a **16-point FFT** when the data are arranged in a **4 x 4 two-dimensional square array**.

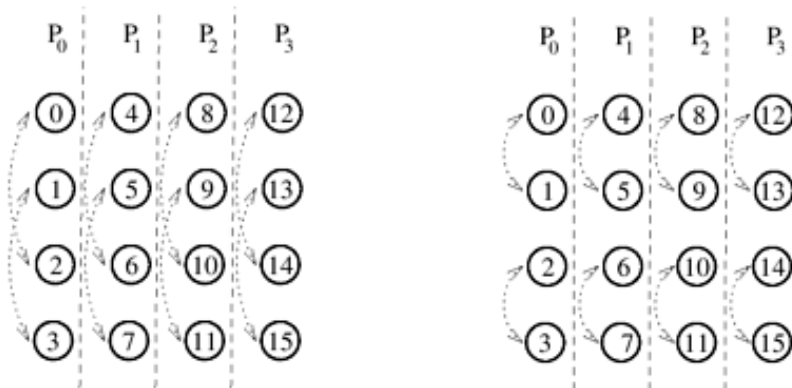
# Transpose Algorithm

- The FFT **computation in each column** can proceed **independently** for  $\log \sqrt{n}$  iterations without any column requiring data from any other column.
- Similarly, in the remaining  $\log \sqrt{n}$  iterations, computation proceeds independently in **each row without any row requiring data from any other row**.

# Two-dimensional (2D) transpose



(a) Steps in phase 1 of the transpose algorithm (before transpose)



(b) Steps in phase 3 of the transpose algorithm (after transpose)

## Transpose Algorithm ( $n > p$ )

- The 2D array of data is striped into blocks, and one block of  $\sqrt{n}/p$  rows is assigned to each process.
- In the **first and third phases** of the algorithm, each process computes  $\sqrt{n}/p$  FFTs of  $\sqrt{n}$  each.
- The **second phase** transposes the  $\sqrt{n} \times \sqrt{n}$  matrix (all-to-all personalized communication).
- The parallel run time of the **transpose** algorithm on a **hypercube** is:

$$\begin{aligned} T_p &= 2t_c \frac{\sqrt{n}}{p} \sqrt{n} \log \sqrt{n} + t_s(p-1) + t_w \frac{n}{p} \\ &= t_c \frac{n}{p} \log n + t_s(p-1) + t_w \frac{n}{p} \end{aligned}$$

# Binary-Exchange vs. Transpose Algorithm

- Parallel runtime of the **transpose** algorithm  
(  $T_P = t_c \frac{n}{p} \log n + t_s(p-1) + t_w \frac{n}{p}$  ) has a much higher overhead than the **binary-exchange** algorithm  
(  $T_P = t_c \frac{n}{p} \log n + t_s \log p + t_w \frac{n}{p} \log p$  ) due to the **message startup** time  $t_s$ , but has a lower overhead due to **per-word transfer** time  $t_w$ .
- If the **latency**  $t_s$  is **very low**, then the **transpose algorithm** may be the algorithm of choice.
- The **binary-exchange algorithm** may perform better on a parallel computer with a **high communication bandwidth** but a significant startup time.