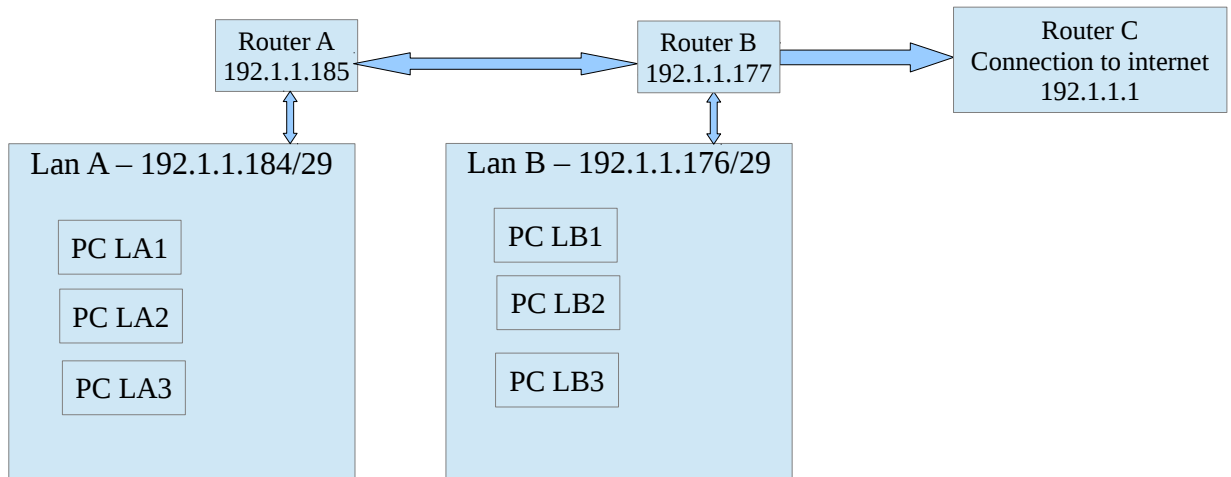


IPv4 Routing

Suppose following structure of LANS. Write routing tables for router A and B. Write routing table for computer in LAN LA1. What can be IP address for computer PC LA1? What is netmask for LAN LB1 and what is netid?



TCP/IP – telegrams

Suppose following situation just after switch on of all components. What telegrams are necessary to send if you enter on PC A command ssh PC C?

