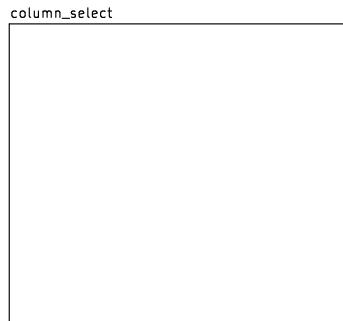
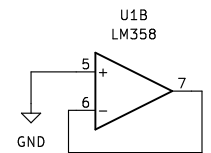
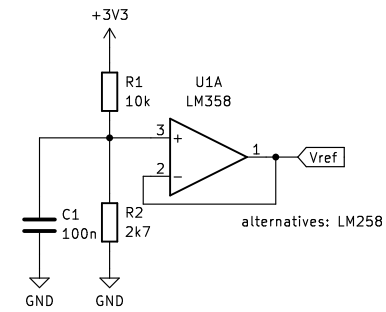
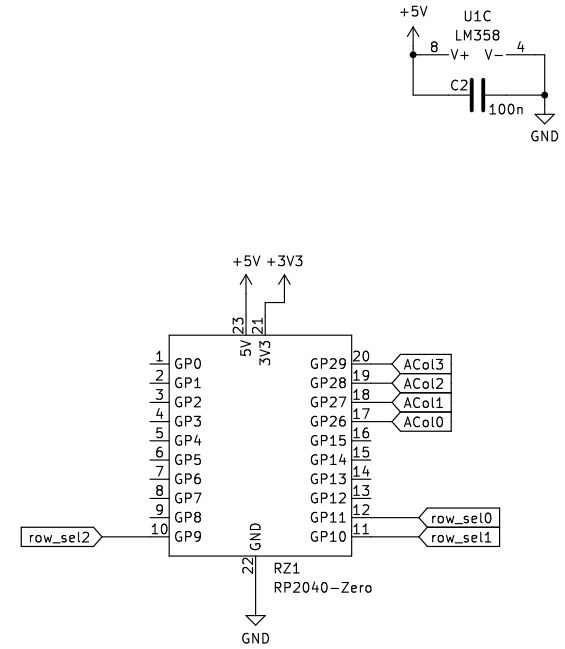


File: row\_select.kicad\_sch



File: column\_select.kicad\_sch



Sheet: /  
File: eskinElectronics\_8x4.kicad\_sch

**Title:**

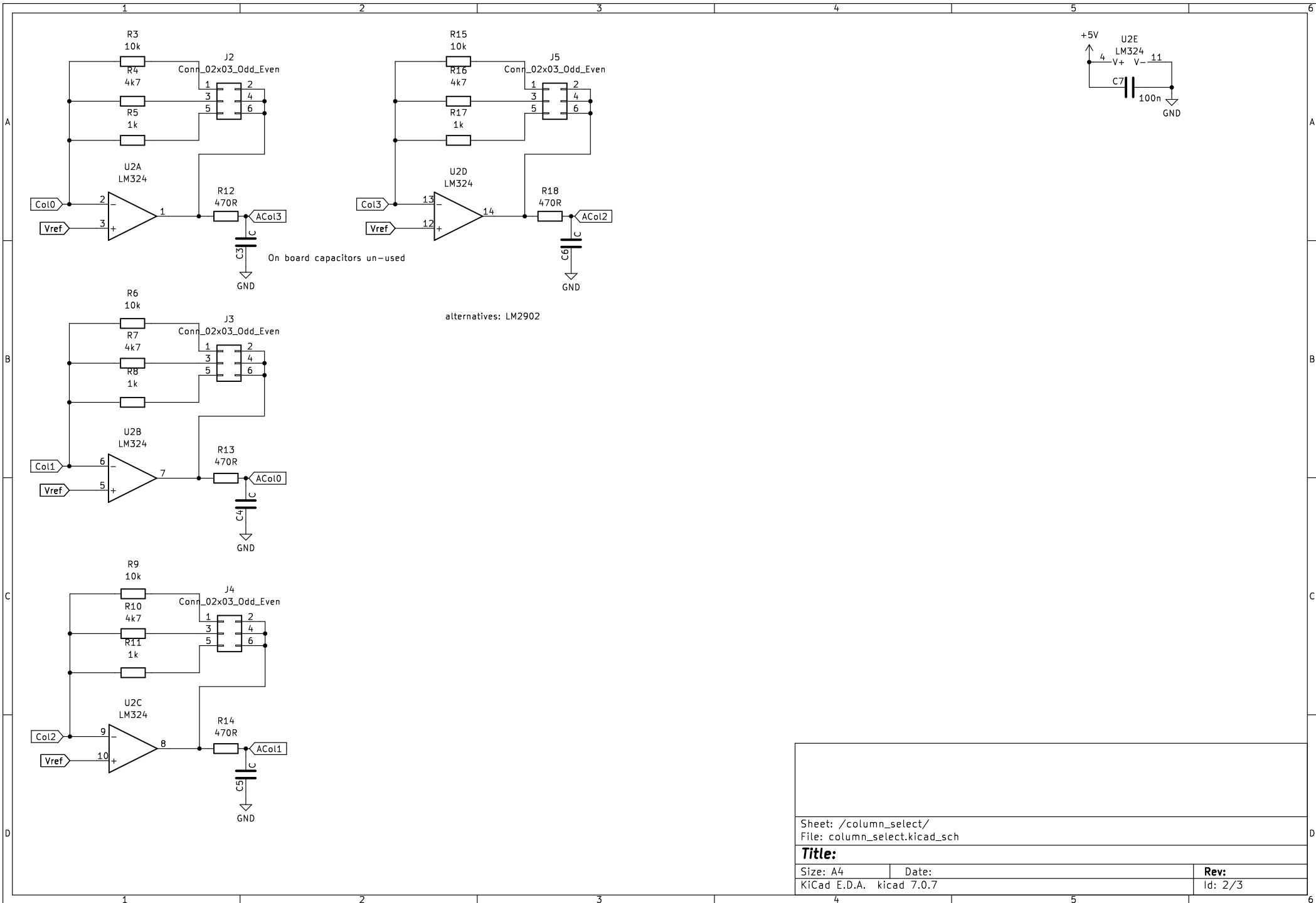
Size: A4

Date:

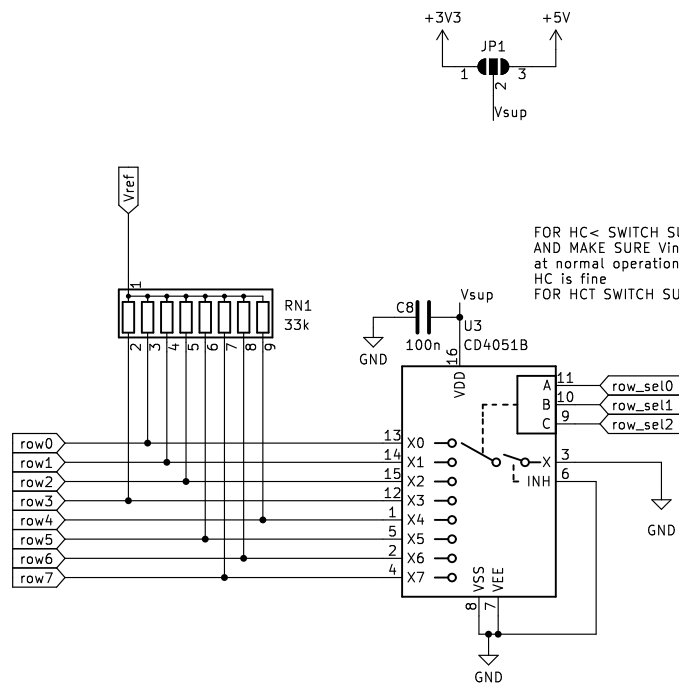
**Rev:**

KiCad E.D.A. kicad 7.0.7

Id: 1/3



Sheet: /column_select/		
File: column_select.kicad_sch		
<b>Title:</b>		
Size: A4	Date:	<b>Rev:</b>
KiCad E.D.A. kicad 7.0.7		Id: 2/3



FOR HC< SWITCH SUPPLY TO 3V3  
 AND MAKE SURE Vin < 3V3  
 at normal operation Vin=0.7V,  
 HC is fine  
 FOR HCT SWITCH SUPPLY TO 5V

Sheet: /row\_select/  
 File: row\_select.kicad\_sch

**Title:**

Size: A4 Date:  
 KiCad E.D.A. kicad 7.0.7

**Rev:**  
 Id: 3/3