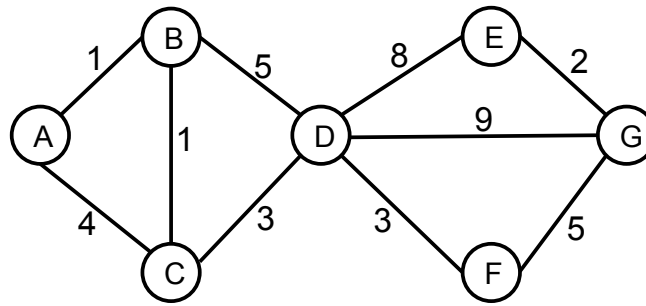


Heuristic function properties



Consider the state space graph shown above. A is the start state and G is the goal state. The costs for each edge are shown on the graph. Each edge can be traversed in both directions. Complete the heuristic function h shown below. All the values are fixed except $h(B)$.

Node	A	B	C	D	E	F	G
h	10	?	9	7	1.5	4.5	0

For each of the following conditions, write the set of values that are possible for $h(B)$. For example, to denote all non-negative numbers, write $[0, \infty]$, to denote the empty set, write \emptyset , and so on.

1. **What values of $h(B)$ make h admissible?**
2. **What values of $h(B)$ make h consistent?**