


# Lecture 2 - Appendices

# Appendix: Status Code


- Status kód
  - 100-199 Informational
  - 200-299 Successful
  - 300-399 Redirection
  - 400-499 Incomplete
  - 500-599 Server Error
- Nejčastější
  - 200
  - 404
  - 5xx
- Jsou doprovázeny i slovním vysvětlením a občas i obsahem

# Appendix: Form and get parameters



<http://server/1st-form.html>

```
<form name="input"
      action="2-form.html" method="get">
  Username:
  <input type="text" name="user">
  <input type="text" name="pwd">
  <input type="submit" value="Submit">
</form>
```

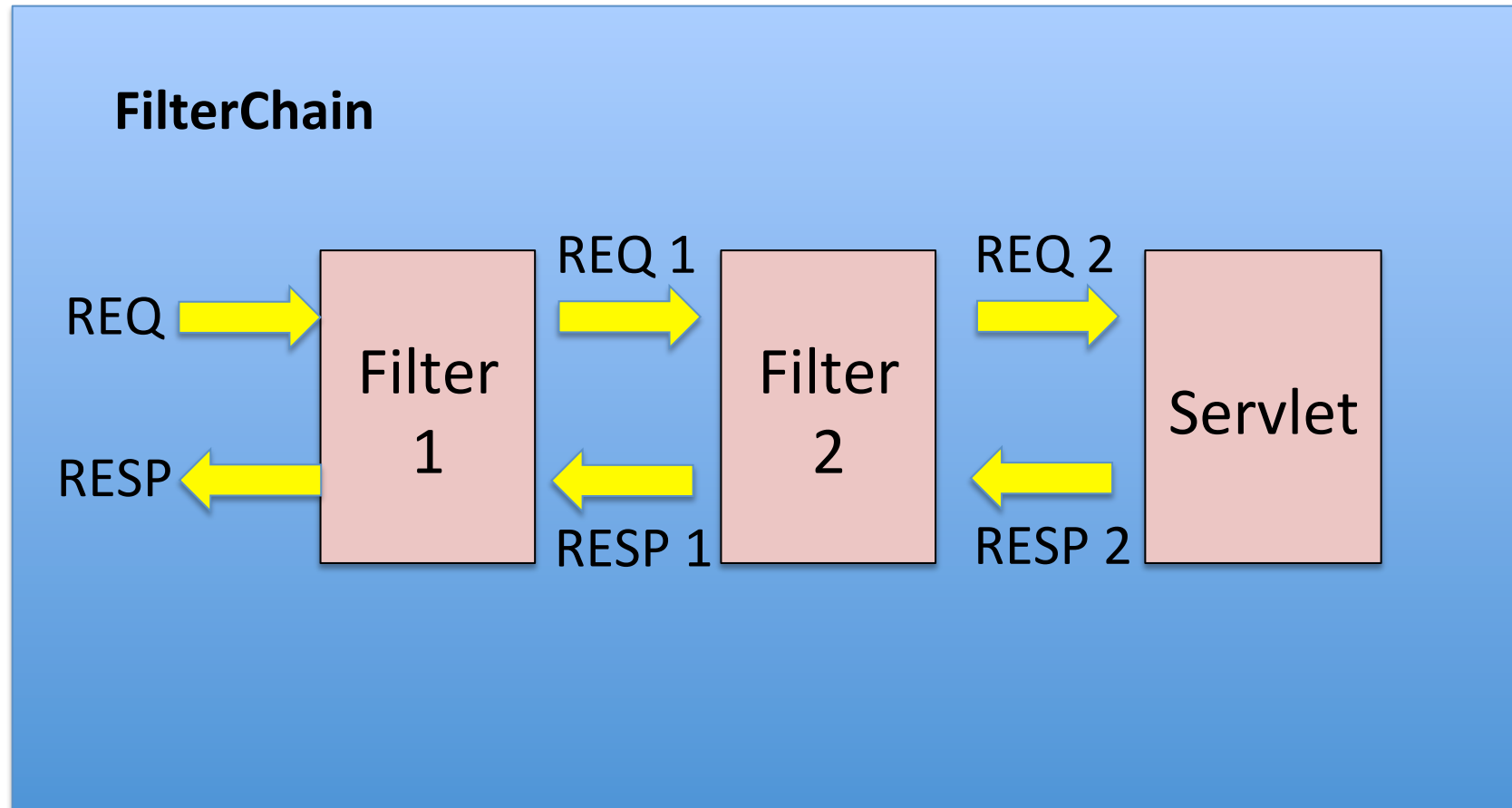


<http://server/2-form.html?user=Pepa&pwd=mojeheslo>

# Appendix: Filter II

```
public void doFilter(ServletRequest request,
                    ServletResponse response,
                    FilterChain chain)
    throws IOException,
           ServletException {
    // request -> wrappedRequest
    chain.doFilter(wrappedRequest,
                  wrappedResponse);
    // wrappedResponse -> response
}
```

# Appendix: Filter II



# Appendix: Filter III

