



**OPPA European Social Fund
Prague & EU: We invest in your future.**

Automated (AI) Planning

Relaxation and Domain-Independent Heuristics

Carmel Domshlak

Where heuristics come from?

General idea

(Admissible) heuristic functions obtained as
(optimal) cost functions of relaxed problems

Examples

- Euclidian distance in Path Finding
- Manhattan distance in N-puzzle
- Spanning Tree in Traveling Salesman Problem
- Shortest Path in Job Shop Scheduling

Automated
(AI) Planning

Introduction

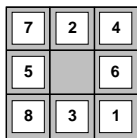
Obtaining
heuristics

Relaxation
heuristics

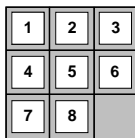
Relaxation
Heuristics

Example

8-Puzzle



Start State



Goal State

- A tile can move from square A to square B if A is adjacent to B and B is blank \leadsto solution distance h^*
- A tile can move from square A to square B if A is adjacent to B \leadsto manhattan distance heuristic h^{MD}
- A tile can move from square A to square B \leadsto misplaced tiles heuristic h^{MT}

Here: $h^*(s_0) = ?$, $h^{MD}(s_0) = 14$, $h^{MT}(s_0) = 6$

In general, $h^* \geq h^{MD} \geq h^{MT}$. (Why?)

Example

8-Puzzle

7	2	4
5		6
8	3	1

Start State

1	2	3
4	5	6
7	8	

Goal State

- A tile can move from square A to square B if A is adjacent to B and B is blank \leadsto solution distance h^*
- A tile can move from square A to square B if A is adjacent to B \leadsto manhattan distance heuristic h^{MD}
- A tile can move from square A to square B \leadsto misplaced tiles heuristic h^{MT}

Here: $h^*(s_0) = ?$, $h^{MD}(s_0) = 14$, $h^{MT}(s_0) = 6$

In general, $h^* \geq h^{MD} \geq h^{MT}$. (Why?)

Dominance relation between admissible heuristics

Precision matters

Given two admissible heuristics h_1, h_2 , if $h_2(\sigma) \geq h_1(\sigma)$ for all search nodes σ , then h_2 **dominates** h_1 and is better for optimizing search

Typical search costs (unit-cost action)

$h^*(I) = 14$ BFS $\approx 1,700,000$ nodes

$A^*(h^{MT}) \approx 560$ nodes

$A^*(h^{MD}) \approx 115$ nodes

$h^*(I) = 24$ BFS $\approx 27,000,000,000$ nodes

$A^*(h^{MT}) \approx 40,000$ nodes

$A^*(h^{MD}) \approx 1,650$ nodes

Dominance relation between admissible heuristics

Precision matters

Given two admissible heuristics h_1, h_2 , if $h_2(\sigma) \geq h_1(\sigma)$ for all search nodes σ , then h_2 **dominates** h_1 and is better for optimizing search

Combining admissible heuristics

For any admissible heuristics h_1, \dots, h_k ,

$$h(\sigma) = \max_{i=1}^k \{h_i(\sigma)\}$$

is also admissible and dominates all individual h_i

Later we'll see that **max** is just a special case of something more general.

Are we solver?

General idea

(Admissible) heuristic functions obtained as (optimal) cost functions of relaxed problems

- OK, but heuristic is **yet another input** to our agent!
- Satisfactory for general solvers?
- Satisfactory in special purpose solvers?

Towards domain-independent agents

- How to get heuristics **automatically**?
- Can such automatically derived heuristics **dominate** the domain-specific heuristics crafted by hand?

Are we solver?

General idea

(Admissible) heuristic functions obtained as (optimal) cost functions of relaxed problems

- OK, but heuristic is **yet another input** to our agent!
- Satisfactory for general solvers?
- Satisfactory in special purpose solvers?

Towards domain-independent agents

- How to get heuristics **automatically**?
- Can such automatically derived heuristics **dominate** the domain-specific heuristics crafted by hand?

A simple heuristic for deterministic planning

STRIPS (Fikes & Nilsson, 1971) used the number of state variables that differ in current state s and a STRIPS goal $G = \{g_1, \dots, g_k\}$:

$$h(s) := |G \setminus s|.$$

Intuition: more true goal literals \rightsquigarrow closer to the goal

\rightsquigarrow **STRIPS heuristic** (properties?)

Criticism of the STRIPS heuristic

What is wrong with the STRIPS heuristic?

- quite **uninformative**:
the range of heuristic values in a given task is small;
typically, most successors have the same estimate
- very sensitive to **reformulation**:
can easily transform any planning task into an equivalent
one where $h(s) = 1$ for all non-goal states (how?)
- ignores almost all **problem structure**:
heuristic value does not depend on the set of actions!

↪ need a better, principled way of coming up with heuristics

Coming up with heuristics in a principled way

General procedure for obtaining a heuristic

Solve an easier version of the problem.

Two common methods:

- **relaxation**: consider **less constrained** version of the problem
- **abstraction**: consider **smaller** version of real problem

Both have been very successfully applied in planning (separately and *together*).

We consider both in this course, beginning with **relaxation**.

Relaxations for planning

- Relaxation is a general technique for heuristic design:
 - **Straight-line heuristic** (route planning): Ignore the fact that one must stay on roads.
 - **Manhattan heuristic** (15-puzzle): Ignore the fact that one cannot move through occupied tiles.
- We want to apply the idea of relaxations to planning.
- Informally, we want to ignore **bad side effects** of applying actions.

Example (8-puzzle)

If we move a tile from x to y , then the **good effect** is (in particular) that x is now free.

The **bad effect** is that y is not free anymore, preventing us for moving tiles through it.

Relaxed planning tasks: idea

In STRIPS, good and bad effects are easy to distinguish:

- Effects that make atoms true are good (**add effects**).
- Effects that make atoms false are bad (**delete effects**).

Idea for the heuristic: **Ignore all delete effects.**

Relaxed planning tasks: idea

In STRIPS, good and bad effects are easy to distinguish:

- Effects that make atoms true are good (**add effects**).
- Effects that make atoms false are bad (**delete effects**).

Idea for the heuristic: **Ignore all delete effects.**

Automated
(AI) Planning

Introduction

Obtaining
heuristics

Relaxation
heuristics

The relaxation
lemma

Greedy algorithm

Optimality

Discussion

Relaxation
Heuristics

Relaxed planning tasks

Definition (relaxation of actions)

The **relaxation** a^+ of a STRIPS action $a = \langle \text{pre}(a), \text{add}(a), \text{del}(a) \rangle$ is the action $a^+ = \langle \text{pre}(a), \text{add}(a), \emptyset \rangle$.

Definition (relaxation of planning tasks)

The **relaxation** Π^+ of a STRIPS planning task $\Pi = \langle P, A, I, G \rangle$ is the planning task $\Pi^+ := \langle P, \{a^+ \mid a \in A\}, I, G \rangle$.

Definition (relaxation of action sequences)

The **relaxation** of an action sequence $\pi = a_1 \dots a_n$ is the action sequence $\pi^+ := a_1^+ \dots a_n^+$.

Relaxed planning tasks: terminology

- STRIPS planning tasks without delete effects are called **relaxed planning tasks**.
- Plans for relaxed planning tasks are called **relaxed plans**.
- If Π is a STRIPS planning task and π^+ is a plan for Π^+ , then π^+ is called a **relaxed plan for Π** .

Automated
(AI) Planning

Introduction

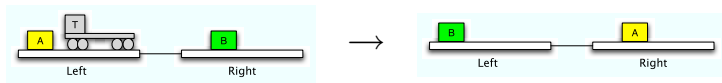
Obtaining
heuristics

Relaxation
heuristics

The relaxation
lemma
Greedy algorithm
Optimality
Discussion

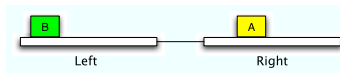
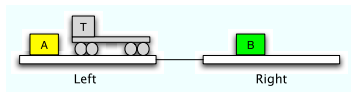
Relaxation
Heuristics

Example: Logistics



- Initial state I : $\{at(A, Left), at(T, Left), at(B, Right)\}$
- $f(I, Drive(Left, Right)) = \{at(A, Left), at(T, Right), at(B, Right)\}$
- $f(I, Drive(Left, Right)^+) = \{at(A, Left), at(T, Left), at(T, Right), at(B, Right)\}$
- $f(I, \langle Drive(Left, Right), Load(A, Left) \rangle)$ is undefined
- $f(I, \langle Drive(Left, Right)^+, Load(A, Left)^+ \rangle) = \{at(A, Left), at(T, Left), at(T, Right), at(B, Right), in(A, T)\}$

Example: Logistics



- Optimal plan:

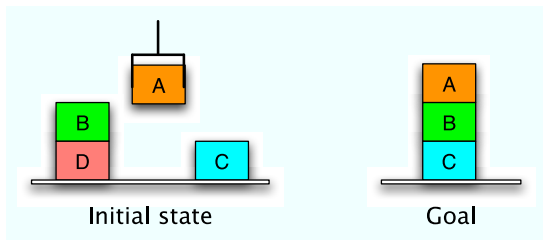
- ① $load(A, T, Left)$,
- ② $drive(Left, Right)$,
- ③ $unload(A, T, Right)$,
- ④ $load(B, T, Right)$,
- ⑤ $drive(Right, Left)$,
- ⑥ $unload(B, T, Left)$

- Optimal relaxed plan: ??? (subsequence of the optimal plan)

- $h^*(I) = 6, h^+(I) = ???$

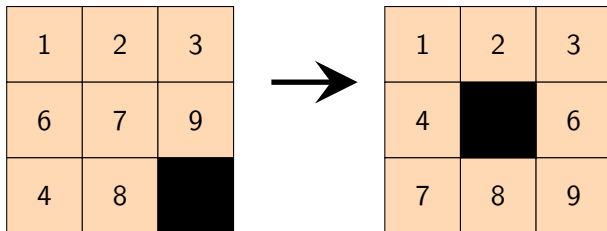
Always subsequence? (Just curious)

An optimal relaxed plan can *not* always be obtained by skipping actions from the (real) optimal plan.



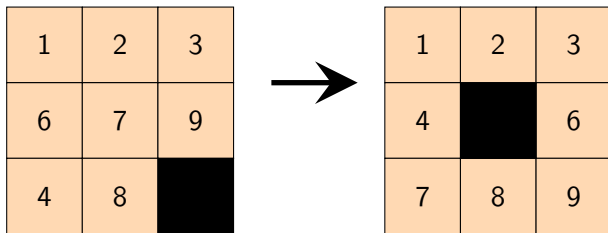
- Optimal plan:
 $\langle \text{putdown}(A), \text{unstack}(B, D), \text{stack}(B, C), \text{pickup}(A), \text{stack}(A, B) \rangle$
- Optimal relaxed subsequence: ???
- Optimal relaxed plan: ???

Example: 8-Puzzle



- Real problem:
 - A tile can move from square A to square B if A is adjacent to B and B is blank
- Monotonically relaxed problem:
 - A tile can move from square A to square B if A is adjacent to B and B is blank (!!!)
 - In effect ...

Example: 8-Puzzle



- A tile can move from square A to square B if A is adjacent to B and B is blank - solution distance h^*
- A tile can move from square A to square B if A is adjacent to B - manhattan distance heuristic h^{MD}
- A tile can move from square A to square B if A is adjacent to B and B is blank; in effect, the tile is at both A and B, and both A and B are blank - h^+

Here: $h^*(s_0) = 8$, $h^{MD}(s_0) = 6$, $h^+(s_0) = ???$

Example: 8-Puzzle

1	2	3
6	7	9
4	8	



1	2	3
4		6
7	8	9

Optimal MD plan:

- 1 $move(t_9, p_6, p_9)$
- 2 $move(t_7, p_5, p_8)$
- 3 $move(t_6, p_4, p_5)$
- 4 $move(t_6, p_5, p_6)$
- 5 $move(t_4, p_7, p_4)$
- 6 $move(t_7, p_8, p_7)$

Optimal relaxed plan:

- 1 $move(t_9, p_6, p_9)$
- 2 $move(t_8, p_8, p_9)$
- 3 $move(t_7, p_5, p_8)$
- 4 $move(t_6, p_4, p_5)$
- 5 $move(t_6, p_5, p_6)$
- 6 $move(t_4, p_7, p_4)$
- 7 $move(t_7, p_8, p_7)$

Automated
(AI) Planning

Introduction

Obtaining
heuristics

Relaxation
heuristics

The relaxation
lemma

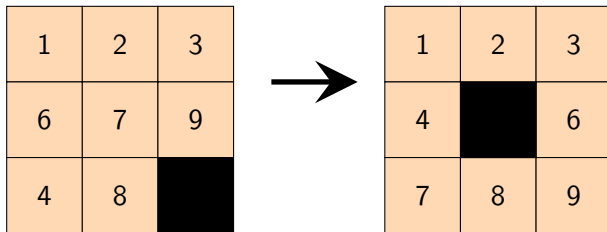
Greedy algorithm

Optimality

Discussion

Relaxation
Heuristics

Example: 8-Puzzle



Optimal MD plan:

- 1 $move(t_9, p_6, p_9)$
- 2 $move(t_7, p_5, p_8)$
- 3 $move(t_6, p_4, p_5)$
- 4 $move(t_6, p_5, p_6)$
- 5 $move(t_4, p_7, p_4)$
- 6 $move(t_7, p_8, p_7)$

Optimal relaxed plan:

- 1 $move(t_9, p_6, p_9)$
- 2 $move(t_8, p_8, p_9)$
- 3 $move(t_7, p_5, p_8)$
- 4 $move(t_6, p_4, p_5)$
- 5 $move(t_6, p_5, p_6)$
- 6 $move(t_4, p_7, p_4)$
- 7 $move(t_7, p_8, p_7)$

So $h^*(s_0) = 8$, $h^{MD}(s_0) = 6$, $h^+(s_0) = 7 (> h^{MD}!)$

Automated
(AI) Planning

Introduction

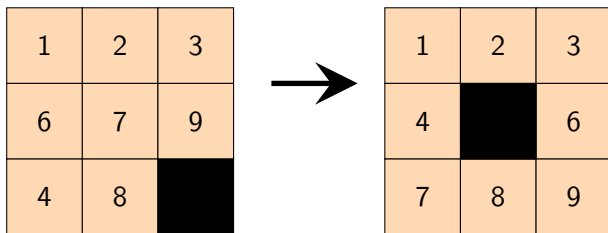
Obtaining
heuristics

Relaxation
heuristics

The relaxation
lemma
Greedy algorithm
Optimality
Discussion

Relaxation
Heuristics

8-Puzzle: h^+ vs. h^{MD}



h^+ dominates h^{MD}

- The goal is given as a conjunction of $at(t_i, p_j)$ atoms
- Achieving each single one of them takes at least as many steps as the respective tile's Manhattan distance
- Each action moves a single tile only

And we have just seen that h^+ **strictly dominates** h^{MD}

Automated
(AI) Planning

Introduction

Obtaining
heuristics

Relaxation
heuristics

The relaxation
lemma
Greedy algorithm
Optimality
Discussion

Relaxation
Heuristics

Dominating states

The **on-set** $on(s)$ of a state s is the set of atoms that are true in s . A state s' **dominates** another state s iff $on(s) \subseteq on(s')$.

Lemma (relaxation)

Let s be a state, let s' be a state that dominates s , and let π be an action sequence which is applicable in s . Then π^+ is applicable in s' and $app_{\pi^+}(s')$ dominates $app_{\pi}(s)$. Moreover, if π leads to a goal state from s , then π^+ leads to a goal state from s' .

Proof.

The “moreover” part is immediate from $app_{\pi^+}(s')$ dominating $app_{\pi}(s)$. Prove the rest by induction over the length of π .

Consequences of the relaxation lemma

Corollary (relaxation leads to dominance and preserves plans)

*Let π be an action sequence which is applicable in state s .
Then π^+ is applicable in s and $app_{\pi^+}(s)$ dominates $app_{\pi}(s)$.
If π is a plan for Π , then π^+ is a plan for Π^+ .*

Proof.

Apply relaxation lemma with $s' = s$. □

- ~> Relaxations of plans are relaxed plans.
- ~> Relaxations are no harder to solve than the original task.
- ~> Optimal relaxed plans are never longer than optimal plans for original tasks.

Consequences of the relaxation lemma (ctd.)

Corollary (relaxation preserves dominance)

Let s be a state, let s' be a state that dominates s , and let π^+ be a relaxed action sequence applicable in s . Then π^+ is applicable in s' and $app_{\pi^+}(s')$ dominates $app_{\pi^+}(s)$.

Proof.

Apply relaxation lemma with π^+ for π , noting that $(\pi^+)^+ = \pi^+$. □

- \rightsquigarrow If there is a relaxed plan starting from state s , the same plan can be used starting from a dominating state s' .
- \rightsquigarrow Making a transition to a dominating state never hurts in relaxed planning tasks.

Monotonicity of relaxed planning tasks

We need one final property before we can provide an algorithm for solving relaxed planning tasks.

Lemma (monotonicity)

Let $a^+ = \langle \text{pre}(a), \text{add}(a), \emptyset \rangle$ be a relaxed action and let s be a state in which a^+ is applicable.

Then $\text{app}_{a^+}(s)$ dominates s .

Proof.

Since relaxed actions only have positive effects, we have $\text{on}(s) \subseteq \text{on}(s) \cup \text{add}(a) = \text{on}(\text{app}_{a^+}(s))$. □

↪ Together with our previous results, this means that making a transition in a relaxed planning task **never** hurts.

Automated
(AI) Planning

Introduction

Obtaining
heuristics

Relaxation
heuristics

The relaxation
lemma

Greedy algorithm

Optimality

Discussion

Relaxation
Heuristics

Greedy algorithm for relaxed planning tasks

The relaxation and monotonicity lemmas suggest the following algorithm for solving relaxed planning tasks:

Greedy planning algorithm for $\langle P, A^+, I, G \rangle$

$s := I$

$\pi^+ := \epsilon$

forever:

if $G \subseteq s$:

return π^+

else if there is an action $a^+ \in A^+$ applicable in s

 with $app_{a^+}(s) \neq s$:

 Append such an action a^+ to π^+ .

$s := app_{a^+}(s)$

else:

return unsolvable

Automated
(AI) Planning

Introduction

Obtaining
heuristics

Relaxation
heuristics

The relaxation
lemma

Greedy algorithm

Optimality

Discussion

Relaxation
Heuristics

Correctness of the greedy algorithm

The algorithm is **sound**:

- If it returns a plan, this is indeed a correct solution.
- If it returns “unsolvable”, the task is indeed unsolvable
 - Upon termination, there clearly is no relaxed plan from s .
 - By iterated application of the monotonicity lemma, s dominates I .
 - By the relaxation lemma, there is no solution from I .

What about **completeness** (termination) and **runtime**?

- Each iteration of the loop adds at least one atom to $on(s)$.
- This guarantees termination after at most $|P|$ iterations.
- Thus, the algorithm can clearly be implemented to run in polynomial time.
 - A good implementation runs in $O(\|II\|)$.

Using the greedy algorithm as a heuristic

We can apply the greedy algorithm within heuristic search:

- In a search node σ , solve the relaxation of the planning task with $state(\sigma)$ as the initial state.
- Set $h(\sigma)$ to the length of the generated relaxed plan.

Is this an **admissible** heuristic?

- Yes if the relaxed plans are **optimal** (due to the plan preservation corollary).
- However, usually they are not, because our greedy planning algorithm is very poor.

(What about safety? Goal-awareness? Consistency?)

The set cover problem

To obtain an admissible heuristic, we need to generate optimal relaxed plans. Can we do this efficiently?

This question is related to the following problem:

Problem (set cover)

Given: a finite set U , a collection of subsets $C = \{C_1, \dots, C_n\}$ with $C_i \subseteq U$ for all $i \in \{1, \dots, n\}$, and a natural number K .

Question: Does there exist a set cover of size at most K , i. e., a subcollection $S = \{S_1, \dots, S_m\} \subseteq C$ with $S_1 \cup \dots \cup S_m = U$ and $m \leq K$?

The following is a classical result from complexity theory:

Theorem

The set cover problem is NP-complete.

Automated
(AI) Planning

Introduction

Obtaining
heuristics

Relaxation
heuristics

The relaxation
lemma

Greedy algorithm

Optimality

Discussion

Relaxation
Heuristics

Hardness of optimal relaxed planning

Theorem (optimal relaxed planning is hard)

The problem of deciding whether a given relaxed planning task has a plan of length at most K is NP-complete.

Proof.

For **membership in NP**, guess a plan and verify. It is sufficient to check plans of length at most $|P|$, so this can be done in nondeterministic polynomial time.

For **hardness**, we reduce from the set cover problem.

Hardness of optimal relaxed planning (ctd.)

Proof (ctd.)

Given a set cover instance $\langle U, C, K \rangle$, we generate the following relaxed planning task $\Pi^+ = \langle P, I, A^+, G \rangle$:

- $P = U$
- $I = \emptyset \quad \equiv I = \{p = 0 \mid p \in P\}$
- $A^+ = \{ \langle \emptyset, \bigcup_{p \in C_i} \{p\}, \emptyset \rangle \mid C_i \in C \}$
- $G = U$

If S is a set cover, the corresponding actions form a plan.

Conversely, each plan induces a set cover by taking the subsets corresponding to the actions. Clearly, there exists a plan of length at most K iff there exists a set cover of size K .

Moreover, Π^+ can be generated from the set cover instance in polynomial time, so this is a polynomial reduction. □

Using relaxations in practice

How can we use relaxations for heuristic planning in practice?

Different possibilities:

- Implement an **optimal planner** for relaxed planning tasks and use its solution lengths as an estimate, even though it is NP-hard.
 \leadsto **h^+ heuristic** (*not that realistic. why?*)
- Do not actually solve the relaxed planning task, but compute an estimate of its difficulty in a different way.
 \leadsto **h_{\max} heuristic, h_{add} heuristic**
- Compute a solution for relaxed planning tasks which is not necessarily optimal, but “reasonable”.
 \leadsto **h_{FF} heuristic**

Using relaxations in practice

How can we use relaxations for heuristic planning in practice?

Different possibilities:

- Implement an **optimal planner** for relaxed planning tasks and use its solution lengths as an estimate, even though it is NP-hard.
 \leadsto **h^+ heuristic** (*not that realistic. why?*)
- Do not actually solve the relaxed planning task, but compute an estimate of its difficulty in a different way.
 \leadsto **h_{\max} heuristic, h_{add} heuristic**
- Compute a solution for relaxed planning tasks which is not necessarily optimal, but “reasonable”.
 \leadsto **h_{FF} heuristic**

Using relaxations in practice

How can we use relaxations for heuristic planning in practice?

Different possibilities:

- Implement an **optimal planner** for relaxed planning tasks and use its solution lengths as an estimate, even though it is NP-hard.
 \leadsto **h^+ heuristic** (*not that realistic. why?*)
- Do not actually solve the relaxed planning task, but compute an estimate of its difficulty in a different way.
 \leadsto **h_{\max} heuristic, h_{add} heuristic**
- Compute a solution for relaxed planning tasks which is not necessarily optimal, but “reasonable”.
 \leadsto **h_{FF} heuristic**

Reminder: Greedy algorithm for relaxed planning tasks

Greedy planning algorithm for $\langle P, A^+, I, G \rangle$

$s := I$

$\pi^+ := \epsilon$

forever:

if $G \subseteq s$:

return π^+

else if there is an action $a^+ \in A^+$ applicable in s
 with $app_{a^+}(s) \neq s$:

 Append such an action a^+ to π^+ .

$s := app_{a^+}(s)$

else:

return unsolvable

Automated
(AI) Planning

Introduction

Obtaining
heuristics

Relaxation
heuristics

Relaxation
Heuristics

Template

h_{\max}

h_{add}

h_{FF}

Comparison &
practice

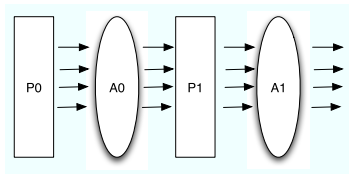
Graphical “interpretation”: Relaxed planning graphs

- Build a layered **reachability graph** $P_0, A_0, P_1, A_1, \dots$

$$P_0 = \{p \in I\}$$

$$A_i = \{a \in A \mid \text{pre}(a) \subseteq P_i\}$$

$$P_{i+1} = P_i \cup \{p \in \text{add}(a) \mid a \in A_i\}$$

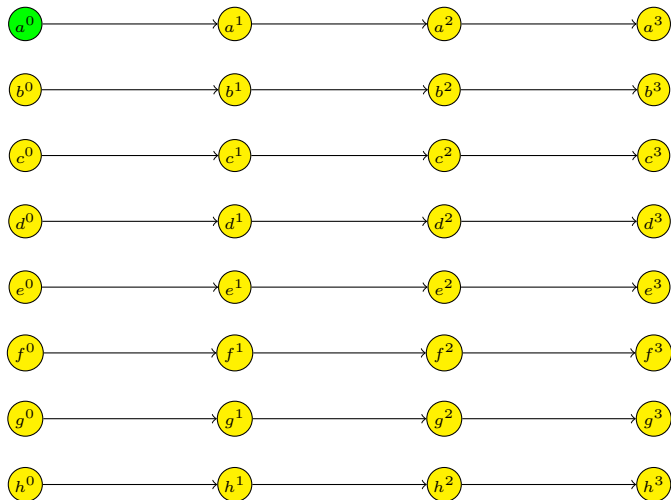


- Terminate when $G \subseteq P_i$

Running example

$$I = \{a = 1, b = 0, c = 0, d = 0, e = 0, f = 0, g = 0, h = 0\}$$
$$a_1 = \langle \{a\}, \{b, c\}, \emptyset \rangle$$
$$a_2 = \langle \{a, c\}, \{d\}, \emptyset \rangle$$
$$a_3 = \langle \{b, c\}, \{e\}, \emptyset \rangle$$
$$a_4 = \langle \{b\}, \{f\}, \emptyset \rangle$$
$$a_5 = \langle \{d\}, \{g\}, \emptyset \rangle$$

Running example: Relaxed planning graph



Automated
(AI) Planning

Introduction

Obtaining
heuristics

Relaxation
heuristics

Relaxation
Heuristics

Template

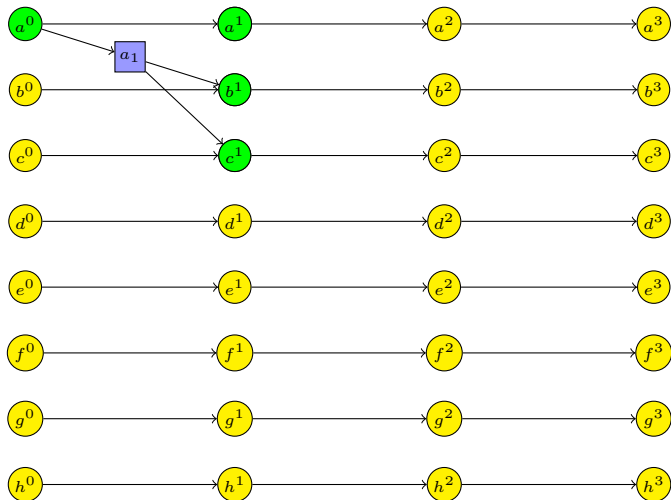
h_{\max}

h_{add}

h_{FF}

Comparison &
practice

Running example: Relaxed planning graph



Automated
(AI) Planning

Introduction

Obtaining
heuristics

Relaxation
heuristics

Relaxation
Heuristics

Template

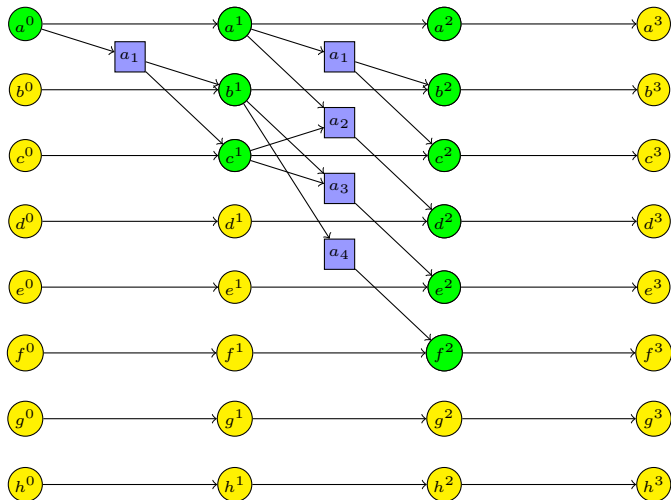
h_{\max}

h_{add}

h_{FF}

Comparison &
practice

Running example: Relaxed planning graph



Automated
(AI) Planning

Introduction

Obtaining
heuristics

Relaxation
heuristics

Relaxation
Heuristics

Template

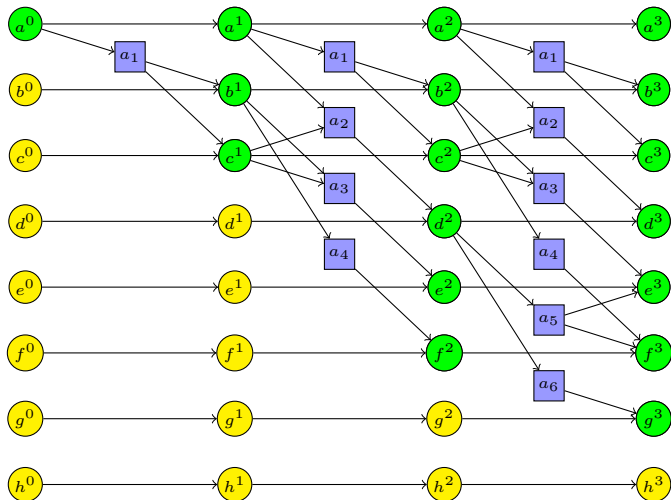
h_{\max}

h_{add}

h_{FF}

Comparison &
practice

Running example: Relaxed planning graph



Automated
(AI) Planning

Introduction

Obtaining
heuristics

Relaxation
heuristics

Relaxation
Heuristics

Template

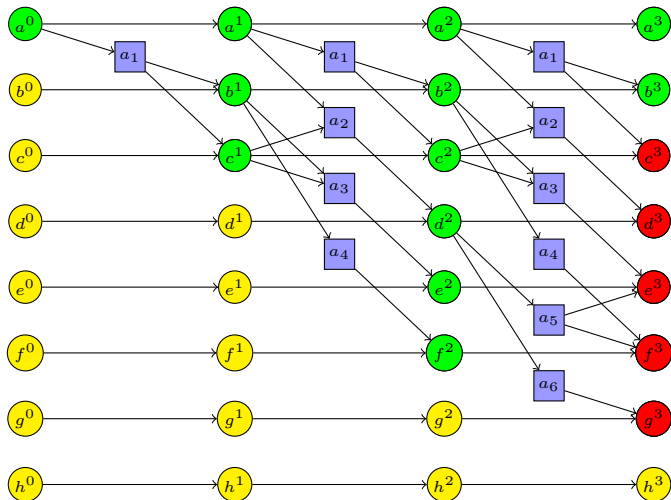
h_{\max}

h_{add}

h_{FF}

Comparison &
practice

Running example: Relaxed planning graph



Automated
(AI) Planning

Introduction

Obtaining
heuristics

Relaxation
heuristics

Relaxation
Heuristics

Template

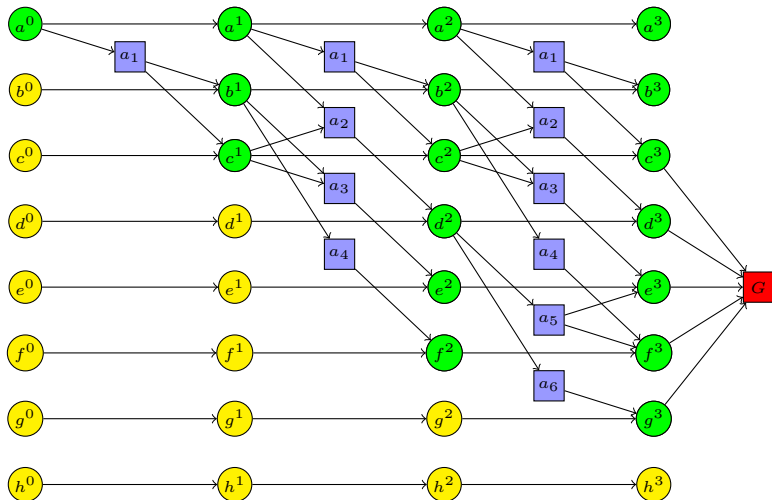
h_{\max}

h_{add}

h_{FF}

Comparison &
practice

Running example: Relaxed planning graph



Automated
(AI) Planning

Introduction

Obtaining
heuristics

Relaxation
heuristics

Relaxation
Heuristics

Template

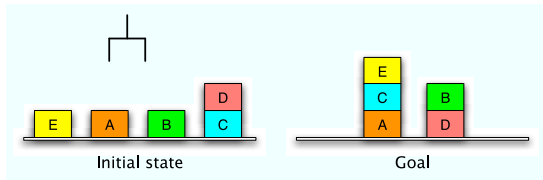
h_{\max}

h_{add}

h_{FF}

Comparison &
practice

Example: Blocksworld



- 1 $\{on(E, Table), clear(E), on(A, Table), clear(A), on(B, Table), clear(B), on(C, Table), on(D, C), clear(D), holding(NIL)\}$
- 2 $\{\dots, holding(E), holding(A), holding(B), holding(D), clear(C)\}$
- 3 $\{\dots, holding(C), on(E, A), on(A, E), \dots\}$
- 4 $\{\dots, on(C, A), \dots\}$

Blackboard: Relaxed planning graph for this example

Generic relaxed planning graph heuristics

Computing heuristics from relaxed planning graphs

```
def generic-rpg-heuristic( $\langle P, I, O, G \rangle, s$ ):  
     $\Pi^+ := \langle P, s, O^+, G \rangle$   
    for  $k \in \{0, 1, 2, \dots\}$ :  
         $rpg := RPG_k(\Pi^+)$   
        if  $G \subseteq P_k$ :  
            Annotate nodes of  $rpg$ .  
            if termination criterion is true:  
                return heuristic value from annotations  
        else if  $k = |P|$ :  
            return  $\infty$ 
```

↪ **generic template** for heuristic functions

↪ to get **concrete heuristic**: fill in highlighted parts

Automated
(AI) Planning

Introduction

Obtaining
heuristics

Relaxation
heuristics

Relaxation
Heuristics

Template

h_{\max}

h_{add}

h_{FF}

Comparison &
practice

Concrete examples for the generic heuristic

Many planning heuristics fit the generic template:

- max heuristic h_{\max}
- additive heuristic h_{add}
- FF heuristic h_{FF}
- ...

Remarks:

- For all these heuristics, equivalent definitions that don't refer to relaxed planning graphs are possible.
- For some of these heuristics, the most efficient implementations do not use relaxed planning graphs explicitly.

Forward cost heuristics

- The simplest relaxed planning graph heuristics are **forward cost heuristics**.
- Examples: h_{\max} , h_{add}
- Here, node annotations are **cost values** (natural numbers).
- The cost of a node estimates how expensive (in terms of required operators) it is to make this node true.

Forward cost heuristics: fitting the template

Forward cost heuristics

Computing annotations:

- Propagate cost values bottom-up using a combination rule for action nodes and a combination rule for proposition nodes.
- At **action nodes**, **add 1** after applying combination rule.

Termination criterion:

- **stability**: terminate if $P_k = P_{k-1}$ and cost for each proposition node $p^k \in P_k$ equals cost for $p^{k-1} \in P_{k-1}$

Heuristic value:

- The heuristic value is the cost of the auxiliary goal node.
- Different forward cost heuristics only differ in their choice of combination rules.

The max heuristic h_{\max} (again)

Forward cost heuristics: max heuristic h_{\max}

Combination rule for action nodes:

- $cost(u) = \max(\{cost(v_1), \dots, cost(v_k)\})$
(with $\max(\emptyset) := 0$)

Combination rule for proposition nodes:

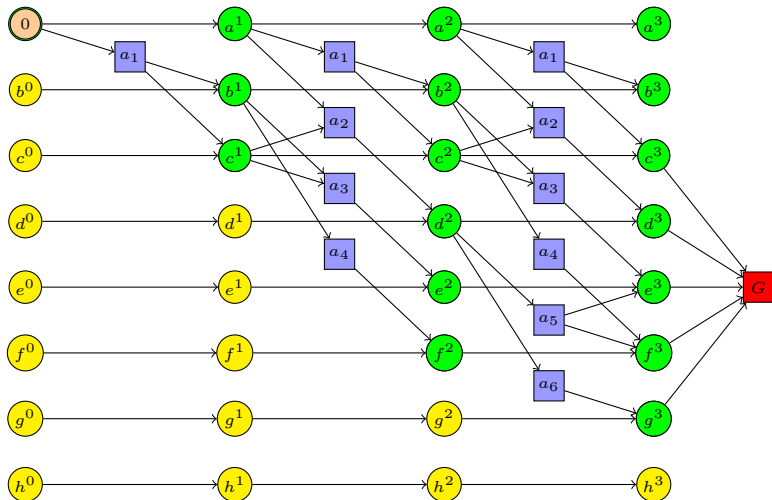
- $cost(u) = \min(\{cost(v_1), \dots, cost(v_k)\})$

In both cases, $\{v_1, \dots, v_k\}$ is the set of immediate predecessors of u .

Intuition:

- **Action rule:** If we have to achieve several preconditions, estimate this by the **most expensive** cost.
- **Proposition rule:** If we have a choice how to achieve a proposition, pick the **cheapest** possibility.

Running example: h_{\max}



Automated
(AI) Planning

Introduction

Obtaining
heuristics

Relaxation
heuristics

Relaxation
Heuristics

Template

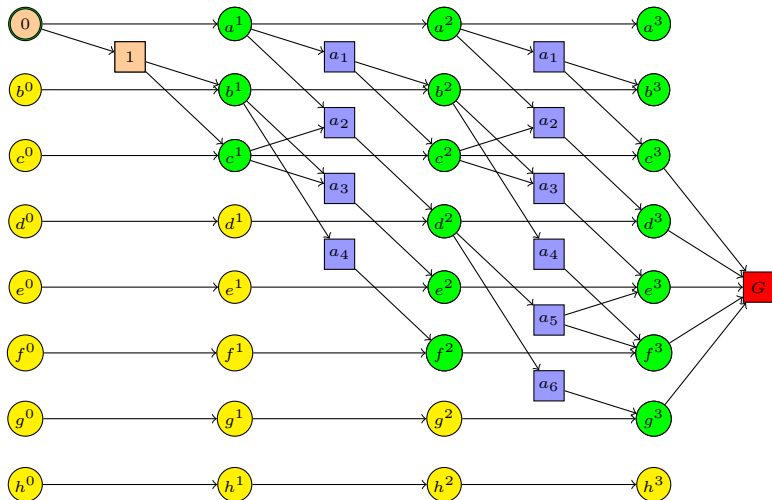
h_{\max}

h_{add}

h_{FF}

Comparison &
practice

Running example: h_{\max}



Automated
(AI) Planning

Introduction

Obtaining
heuristics

Relaxation
heuristics

Relaxation
Heuristics

Template

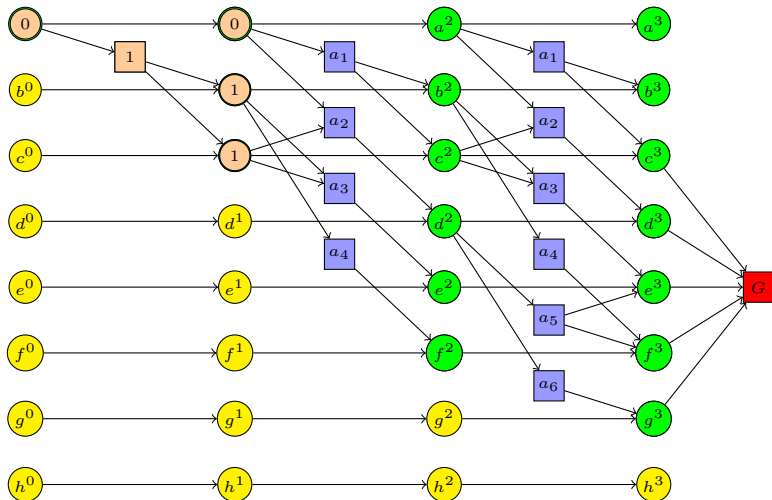
h_{\max}

h_{add}

h_{FF}

Comparison &
practice

Running example: h_{\max}



Automated
(AI) Planning

Introduction

Obtaining
heuristics

Relaxation
heuristics

Relaxation
Heuristics

Template

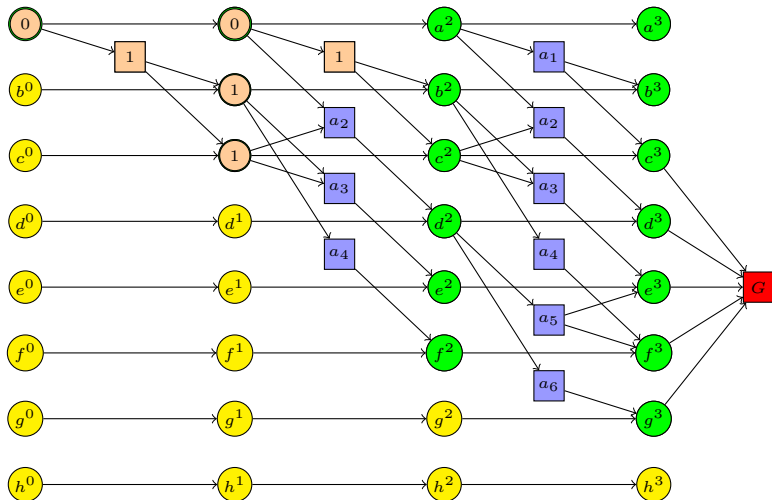
h_{\max}

h_{add}

h_{FF}

Comparison &
practice

Running example: h_{\max}



Automated
(AI) Planning

Introduction

Obtaining
heuristics

Relaxation
heuristics

Relaxation
Heuristics

Template

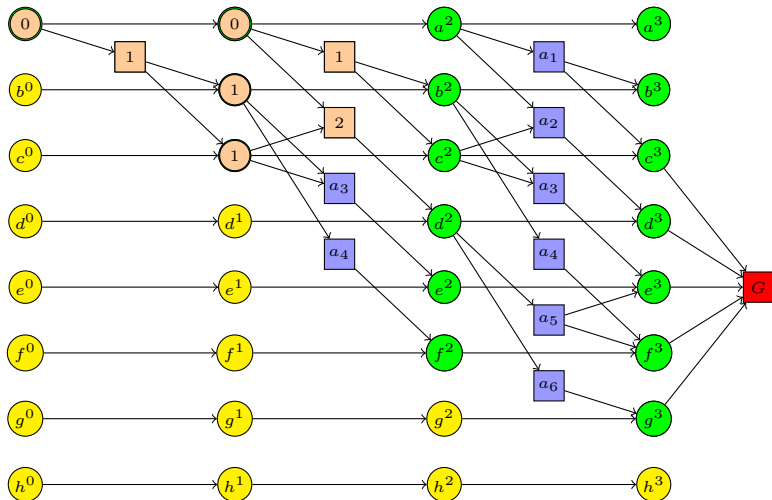
h_{\max}

h_{add}

h_{FF}

Comparison &
practice

Running example: h_{\max}



Automated
(AI) Planning

Introduction

Obtaining
heuristics

Relaxation
heuristics

Relaxation
Heuristics

Template

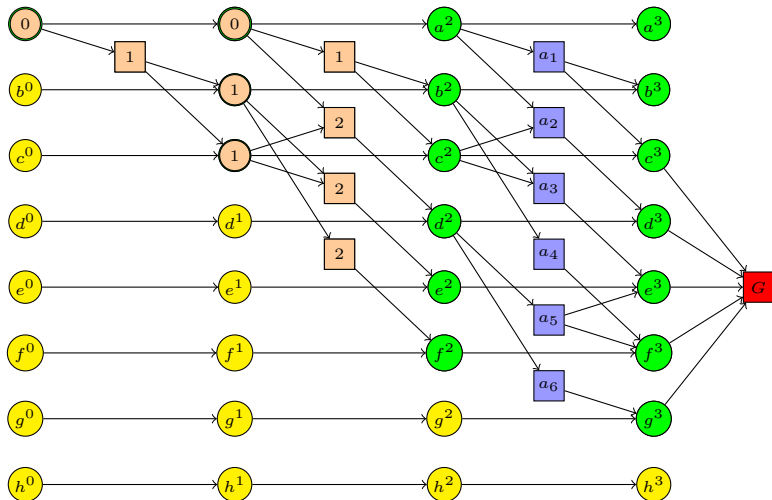
h_{\max}

h_{add}

h_{FF}

Comparison &
practice

Running example: h_{\max}



Automated
(AI) Planning

Introduction

Obtaining
heuristics

Relaxation
heuristics

Relaxation
Heuristics

Template

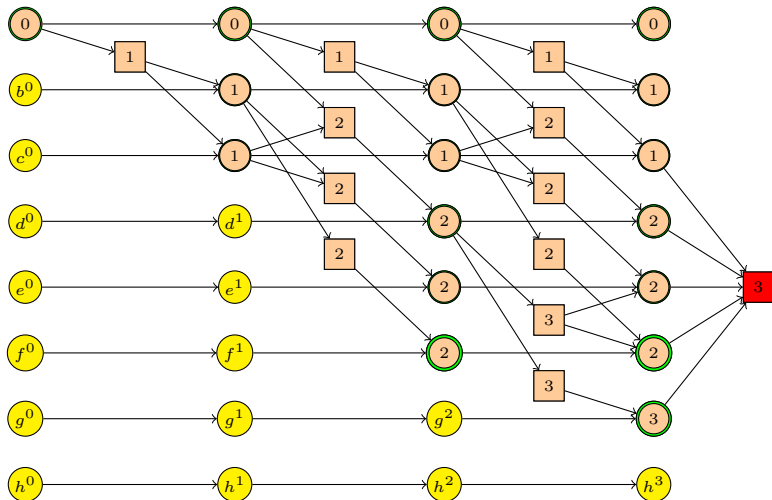
h_{\max}

h_{add}

h_{FF}

Comparison &
practice

Running example: h_{\max}



Automated
(AI) Planning

Introduction

Obtaining
heuristics

Relaxation
heuristics

Relaxation
Heuristics

Template

h_{\max}

h_{add}

h_{FF}

Comparison &
practice

The additive heuristic

Forward cost heuristics: additive heuristic h_{add}

Combination rule for action nodes:

- $cost(u) = cost(v_1) + \dots + cost(v_k)$
(with $\sum(\emptyset) := 0$)

Combination rule for proposition nodes:

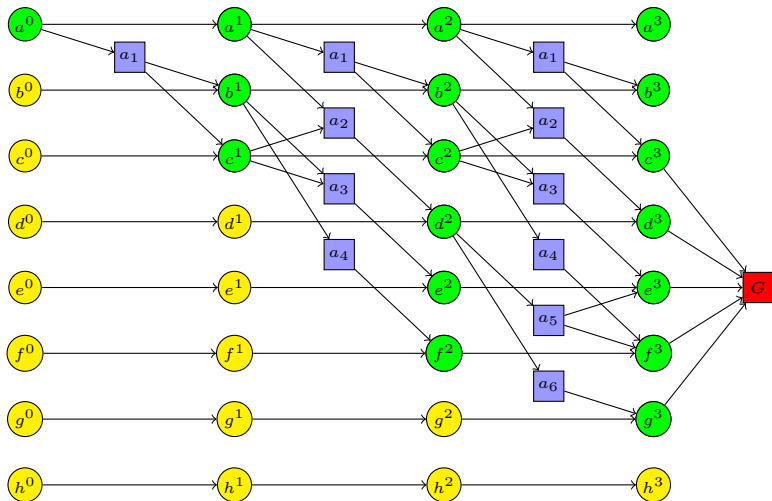
- $cost(u) = \min(\{cost(v_1), \dots, cost(v_k)\})$

In both cases, $\{v_1, \dots, v_k\}$ is the set of immediate predecessors of u .

Intuition:

- **Action rule:** If we have to achieve several preconditions, estimate this by the cost of achieving **each in isolation**.
- **Proposition rule:** If we have a choice how to achieve a proposition, pick the **cheapest** possibility.

Running example: h_{add}



Automated
(AI) Planning

Introduction

Obtaining
heuristics

Relaxation
heuristics

Relaxation
Heuristics

Template

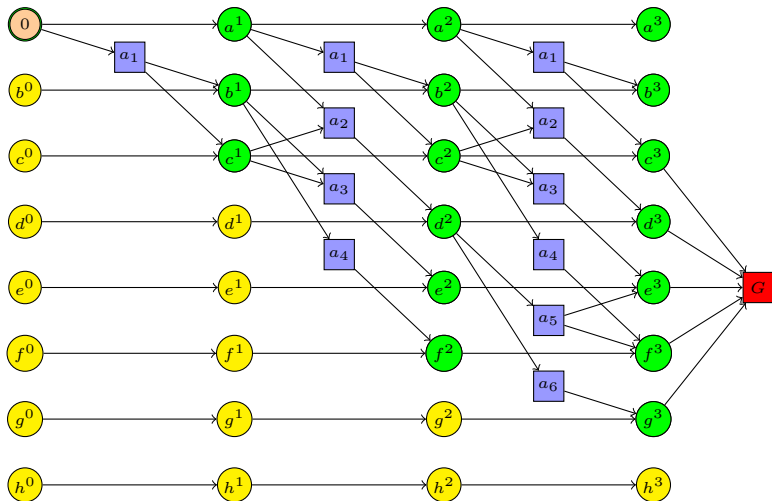
h_{max}

h_{add}

h_{FF}

Comparison &
practice

Running example: h_{add}



Automated
(AI) Planning

Introduction

Obtaining
heuristics

Relaxation
heuristics

Relaxation
Heuristics

Template

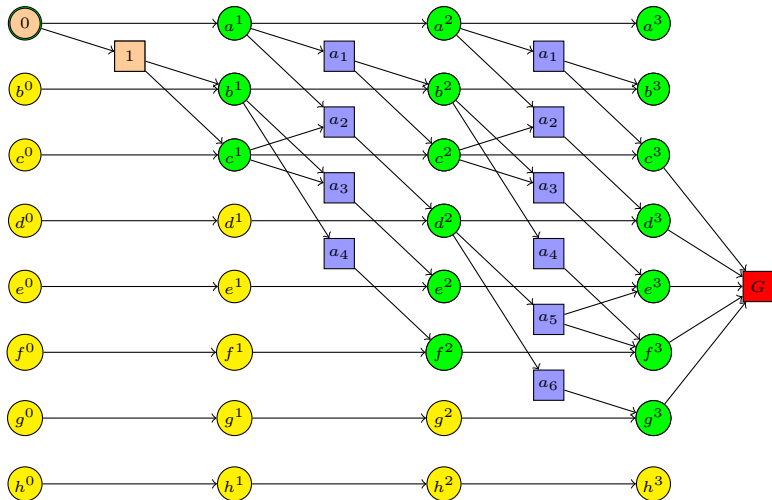
h_{max}

h_{add}

h_{FF}

Comparison &
practice

Running example: h_{add}



Automated
(AI) Planning

Introduction

Obtaining
heuristics

Relaxation
heuristics

Relaxation
Heuristics

Template

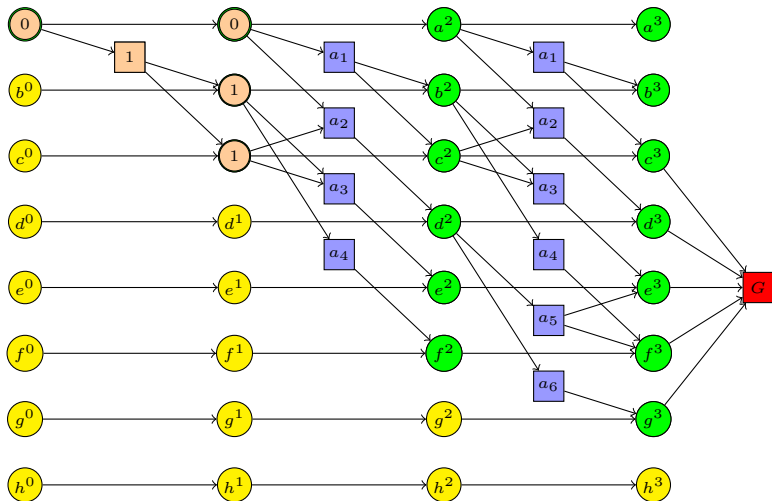
h_{max}

h_{add}

h_{FF}

Comparison &
practice

Running example: h_{add}



Automated
(AI) Planning

Introduction

Obtaining
heuristics

Relaxation
heuristics

Relaxation
Heuristics

Template

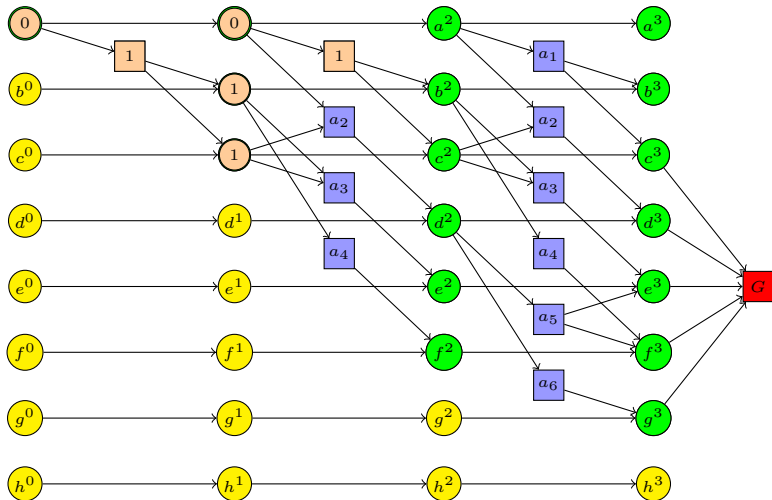
h_{max}

h_{add}

h_{FF}

Comparison &
practice

Running example: h_{add}



Automated
(AI) Planning

Introduction

Obtaining
heuristics

Relaxation
heuristics

Relaxation
Heuristics

Template

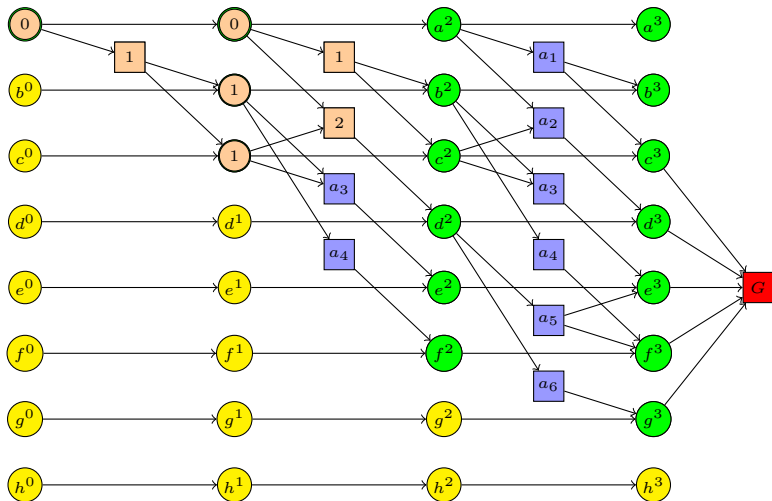
h_{max}

h_{add}

h_{FF}

Comparison &
practice

Running example: h_{add}



Automated
(AI) Planning

Introduction

Obtaining
heuristics

Relaxation
heuristics

Relaxation
Heuristics

Template

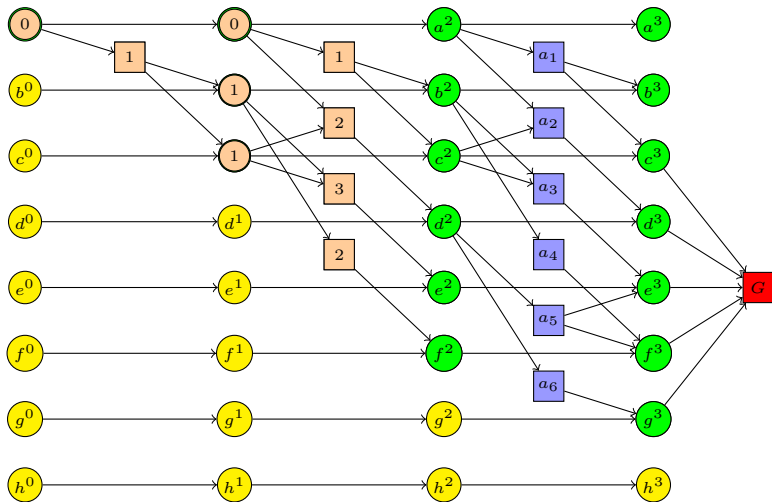
h_{max}

h_{add}

h_{FF}

Comparison &
practice

Running example: h_{add}



Automated
(AI) Planning

Introduction

Obtaining
heuristics

Relaxation
heuristics

Relaxation
Heuristics

Template

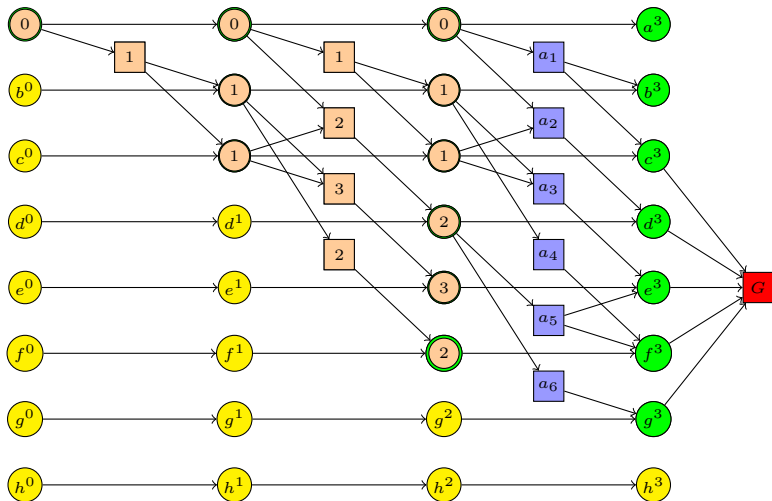
h_{max}

h_{add}

h_{FF}

Comparison &
practice

Running example: h_{add}



Automated
(AI) Planning

Introduction

Obtaining
heuristics

Relaxation
heuristics

Relaxation
Heuristics

Template

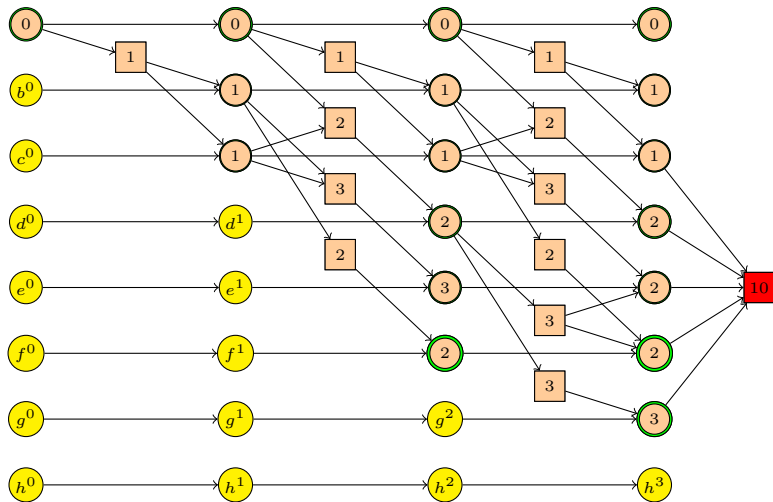
h_{max}

h_{add}

h_{FF}

Comparison &
practice

Running example: h_{add}



Automated
(AI) Planning

Introduction

Obtaining
heuristics

Relaxation
heuristics

Relaxation
Heuristics

Template

h_{max}

h_{add}

h_{FF}

Comparison &
practice

Remarks on h_{add}

- h_{add} is **safe** and **goal-aware**.
- Unlike h_{max} , h_{add} is a **very informative** heuristic in many planning domains.
Q: Intuitively, when it will be informative?
- The price for this is that it is **not admissible** (and hence also **not consistent**), so not suitable for optimal planning.
- In fact, it **almost always** overestimates the h^+ value because it does not take **positive interactions** into account.

FF heuristic: fitting the template

The FF heuristic h_{FF}

Computing annotations:

- Annotations are **Boolean values**, computed top-down.

A node is **marked** when its annotation is set to 1 and **unmarked** if it is set to 0. Initially, the goal node is marked, and all other nodes are unmarked.

We say that an action node is **justified** if all its true immediate predecessors are marked, and that a proposition node is **justified** if at least one of its immediate predecessors is marked.

...

FF heuristic: fitting the template (ctd.)

The FF heuristic h_{FF} (ctd.)

Computing annotations:

- ...

Apply these rules until **all marked nodes are justified**:

- 1 Mark all immediate predecessors of a marked unjustified ACTION node.
- 2 Mark the immediate predecessor of a marked unjustified PROP node with only one immediate predecessor.
- 3 Mark an immediate predecessor of a marked unjustified PROP node connected via an idle arc.
- 4 Mark any immediate predecessor of a marked unjustified PROP node.

The rules are given in priority order: earlier rules are preferred if applicable.

FF heuristic: fitting the template (ctd.)

The FF heuristic h_{FF} (ctd.)

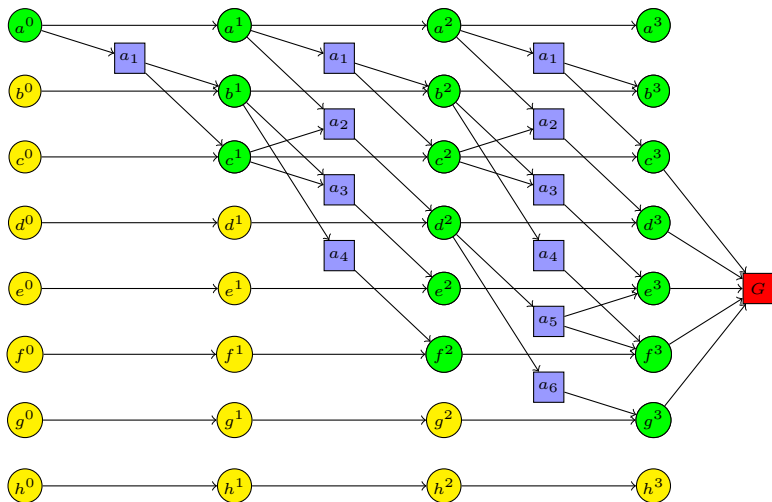
Termination criterion:

- **Always terminate** at first layer where goal node is true.

Heuristic value:

- The heuristic value is the **number of marked action nodes**.

Running example: h_{FF}



Automated
(AI) Planning

Introduction

Obtaining
heuristics

Relaxation
heuristics

Relaxation
Heuristics

Template

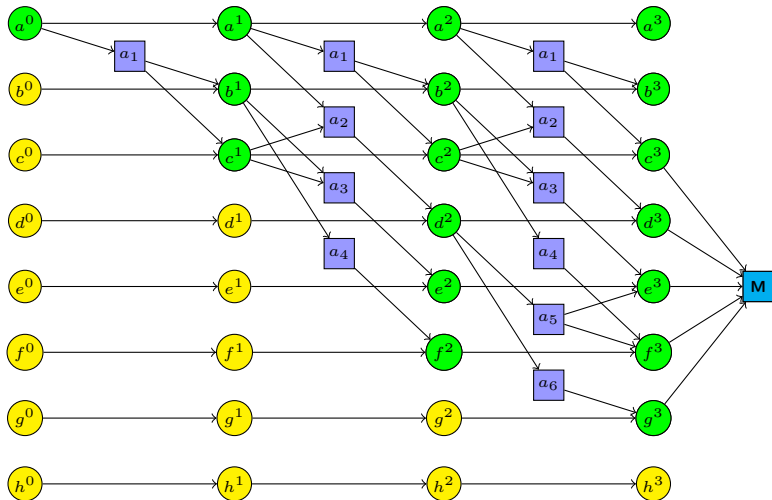
h_{\max}

h_{add}

h_{FF}

Comparison &
practice

Running example: h_{FF}



Automated
(AI) Planning

Introduction

Obtaining
heuristics

Relaxation
heuristics

Relaxation
Heuristics

Template

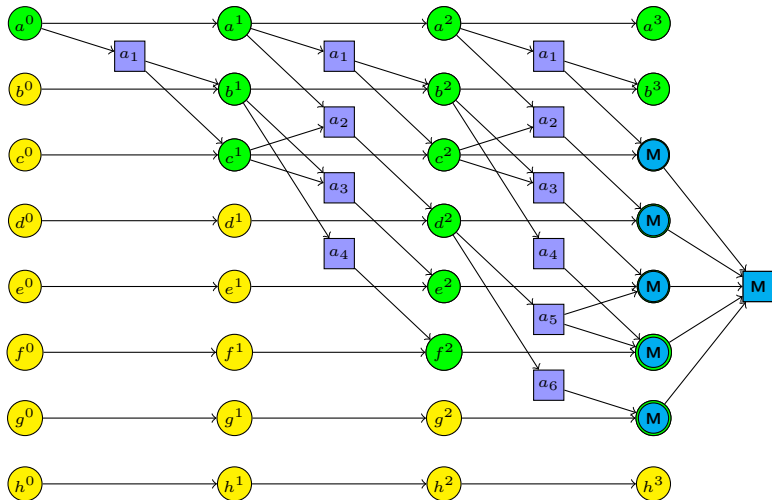
h_{\max}

h_{add}

h_{FF}

Comparison &
practice

Running example: h_{FF}



Automated
(AI) Planning

Introduction

Obtaining
heuristics

Relaxation
heuristics

Relaxation
Heuristics

Template

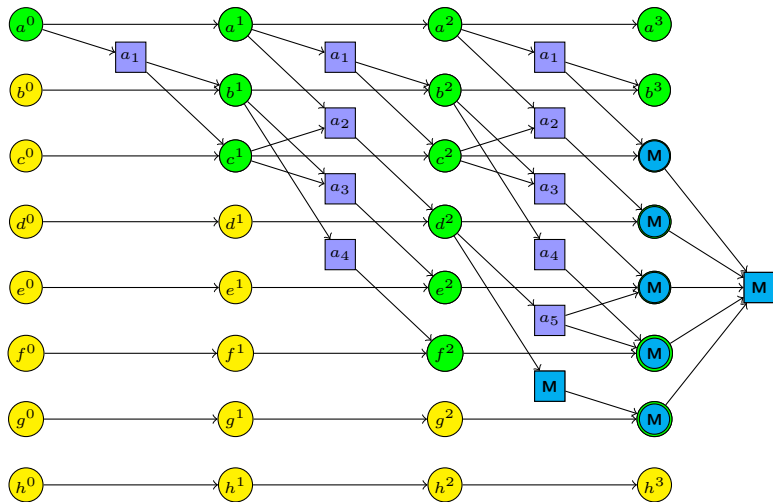
h_{\max}

h_{add}

h_{FF}

Comparison &
practice

Running example: h_{FF}



Automated
(AI) Planning

Introduction

Obtaining
heuristics

Relaxation
heuristics

Relaxation
Heuristics

Template

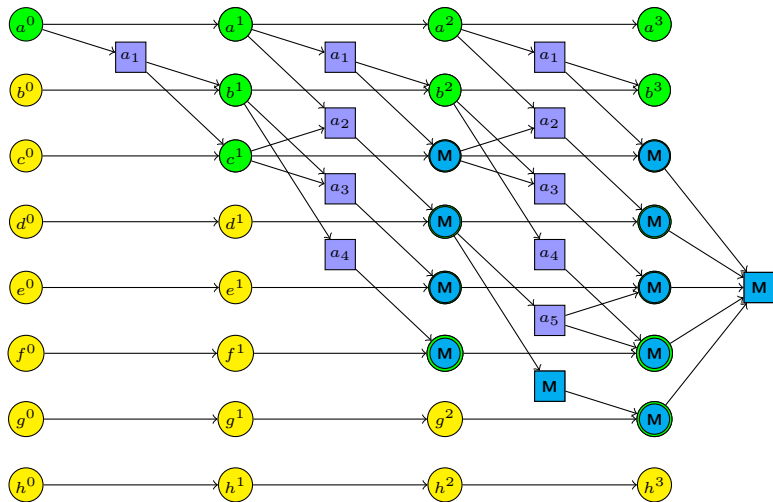
h_{max}

h_{add}

h_{FF}

Comparison &
practice

Running example: h_{FF}



Automated
(AI) Planning

Introduction

Obtaining
heuristics

Relaxation
heuristics

Relaxation
Heuristics

Template

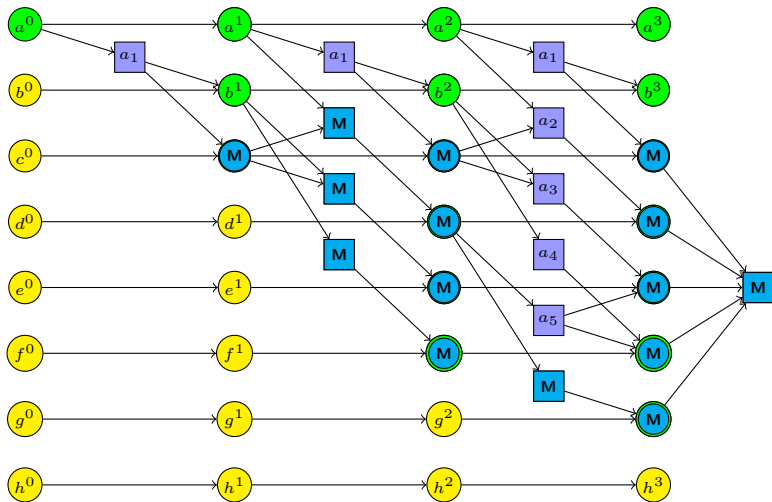
h_{max}

h_{add}

h_{FF}

Comparison &
practice

Running example: h_{FF}



Automated
(AI) Planning

Introduction

Obtaining
heuristics

Relaxation
heuristics

Relaxation
Heuristics

Template

h_{max}

h_{add}

h_{FF}

Comparison &
practice

Remarks on h_{FF}

- Like h_{add} , h_{FF} is **safe** and **goal-aware**, but neither **admissible** nor **consistent**.
- Always more accurate than h_{add} with respect to h^+ .
 - Marked actions define a **relaxed plan**.
- h_{FF} can be computed in **linear time**.
 - The h_{FF} value depends on tie-breaking when the marking rules allow several possible choices, so h_{FF} is **not well-defined** without specifying the tie-breaking rule.
 - The best implementations of FF use additional rules of thumb to try to reduce the size of the generated relaxed plan.

Comparison of relaxation heuristics

Relationship between relaxation heuristics

Let s be a state of planning task $\langle P, I, O, G \rangle$. Then:

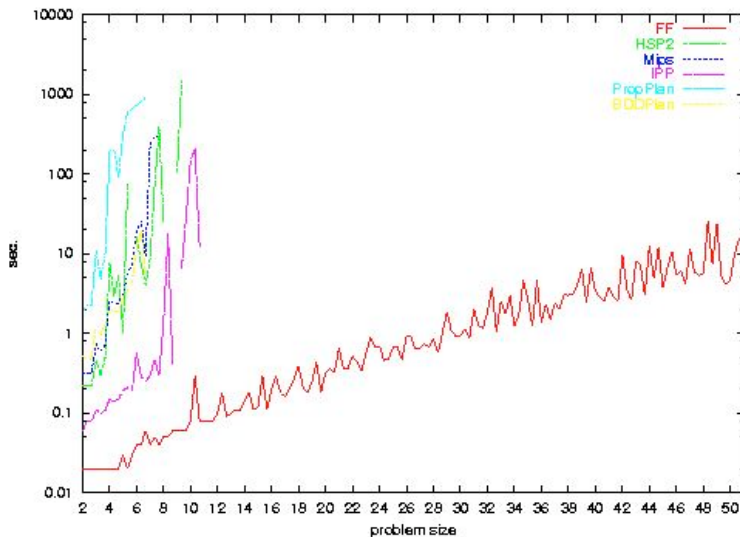
- $h_{\max}(s) \leq h^+(s) \leq h^*(s)$
- $h_{\max}(s) \leq h^+(s) \leq h_{\text{FF}}(s) \leq h_{\text{add}}(s)$
- h^* and h_{FF} are pairwise incomparable
- h^* and h_{add} are incomparable

Moreover, h^+ , h_{\max} , h_{add} , and h_{FF} assign ∞ to the same set of states.

Note: For **inadmissible** heuristics, dominance is in general neither desirable nor undesirable. For relaxation heuristics, the objective is usually to get as close to h^+ as possible.

Does the heuristic really matter?

Example: The 2nd Planning Competition; Schedule domain



Automated
(AI) Planning

Introduction

Obtaining
heuristics

Relaxation
heuristics

Relaxation
Heuristics

Template

h_{max}

h_{add}

h_{FF}

Comparison &
practice



**OPPA European Social Fund
Prague & EU: We invest in your future.**
