

Gene Expression Programming & Cartesian Genetic Programming

Jiří Kubalík
Department of Cybernetics, CTU Prague

Substantial part of this material is based on the article
Candida Ferreira: Gene Expression Programming: A New Adaptive Algorithm for Solving,
see <http://arxiv.org/ftp/cs/papers/0102/0102027.pdf>
and slides for tutorial 'Cartesian Genetic Programming'
presented at GECCO 2008 by J.F. Miller and S.L. Harding,
see <http://portal.acm.org/citation.cfm?id=1389075>



<http://cw.felk.cvut.cz/doku.php/courses/a0m33eoa/start>

Multigenic Chromosomes: Homeotic Genes

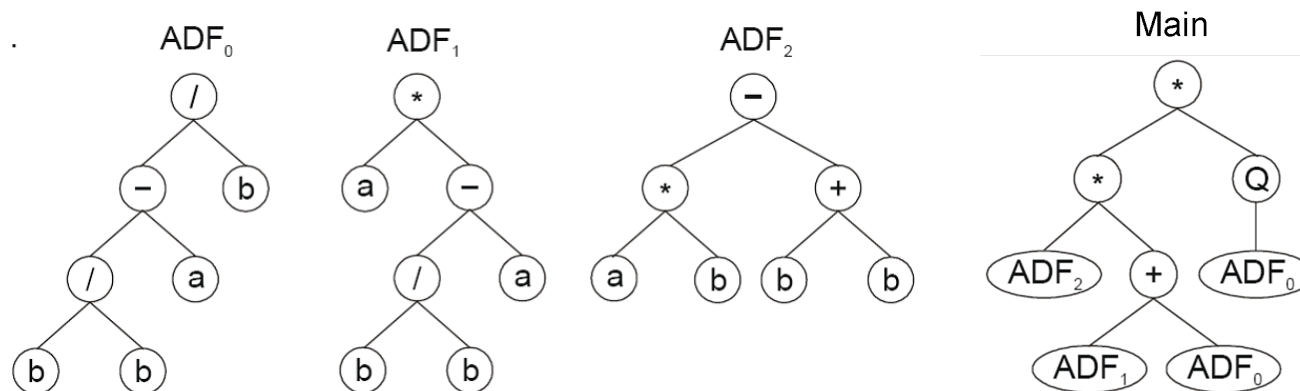
Example:

- the head length of the homeotic gene $h_H = 5$
- the head length of the conventional genes $h = 4$
- $F_H = \{+, -, *, /, Q\}$, $T_H = \{1, 2, 3\}$ denoting ADF_1 , ADF_2 and ADF_3
- $F = \{+, -, *, /\}$ and $T = \{a, b\}$

The following chromosome codes for three conventional genes and one homeotic gene (red)

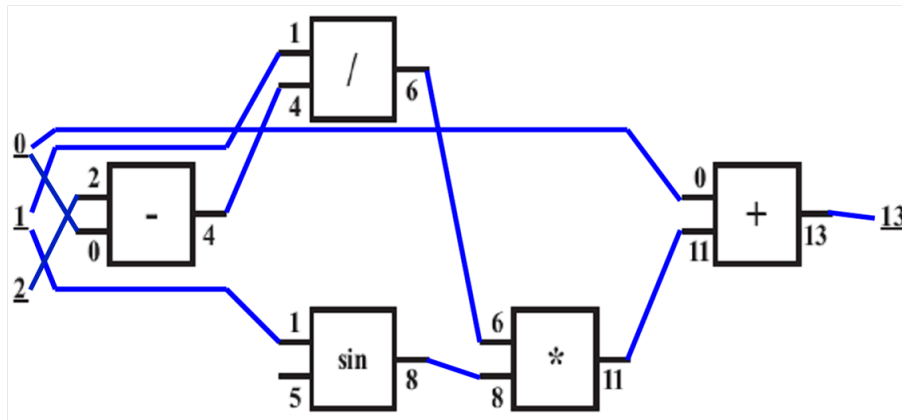
01234567801234567801234567801234567890
 /-b/abbaa*a-/abbab-*+abbbaa**Q2+010102

that expresses as



CGP Program Example

CGP program with 3×4 architecture, 3 inputs and 1 output.



Look up table of 5 functions

0	+	Add the arg1 to arg2
1	-	Subtract arg2 from arg1
2	*	Multiply arg1 to arg2
3	/	Divide arg1 by arg2
4	sin	Calculate sin of arg1

CGP chromosome

$C = (3, 1, 2, \mathbf{1}, \mathbf{2}, \mathbf{0}, 2, 0, 1, \mathbf{3}, \mathbf{1}, \mathbf{4}, 0, 4, 3, \mathbf{4}, \mathbf{1}, \mathbf{5}, 4, 1, 8, 1, 0, 3, \mathbf{2}, \mathbf{6}, \mathbf{8}, 2, 10, 7, \mathbf{0}, \mathbf{0}, \mathbf{11}, 3, 4, 6, 13)$

Graph function: $y = x_0 + (x_1 / (x_2 - x_0)) * \sin x_1$

