

Automated (AI) Planning

Abstractions and Abstraction Heuristics

Automated
(AI) Planning

Abstractions:
informally

Abstractions:
formally

PDB
heuristics

Merge &
Shrink
Abstractions

M&S
Algorithm

Additive
heuristics

Structural
Patterns

Performance

Coming up with heuristics in a principled way

General procedure for obtaining a heuristic

Solve an easier version of the problem.

Two common methods:

- **relaxation**: consider **less constrained** version of the problem
- **abstraction**: consider **smaller** version of real problem

In the previous chapter, we have studied **relaxation**, which has been very successfully applied to **satisficing planning**.

Now, we study **abstraction**, which is one of the most prominent techniques for **optimal planning**.

Automated
(AI) Planning

Abstractions:
informally

Introduction
Practical
requirements
Multiple
abstractions
Outlook

Abstractions:
formally

PDB
heuristics

Merge &
Shrink
Abstractions

M&S
Algorithm

Additive
heuristics

Structural
Patterns

Performance

Outline

- 1 Abstractions informally
- 2 Abstractions formally
- 3 Projection abstractions (PDBs)
- 4 Merge-and-shrink abstractions
- 5 Generalized additive heuristics
- 6 Structural-pattern abstractions

Automated (AI) Planning

Abstractions:
informally

Introduction
Practical
requirements
Multiple
abstractions
Outlook

Abstractions:
formally

PDB
heuristics

Merge &
Shrink
Abstractions

M&S
Algorithm

Additive
heuristics

Structural
Patterns

Performance

Abstracting a transition system

Abstracting a transition system means **dropping some distinctions** between states, while **preserving the transition behaviour** as much as possible.

- An abstraction of a transition system \mathcal{T} is defined by an **abstraction mapping** α that defines which states of \mathcal{T} should be distinguished and which ones should not.
- From \mathcal{T} and α , we compute an **abstract transition system** \mathcal{T}' which is similar to \mathcal{T} , but smaller.
- The **abstract goal distances** (goal distances in \mathcal{T}') are used as heuristic estimates for goal distances in \mathcal{T} .

Automated
(AI) Planning

Abstractions:
informally

Introduction
Practical
requirements
Multiple
abstractions
Outlook

Abstractions:
formally

PDB
heuristics

Merge &
Shrink
Abstractions

M&S
Algorithm

Additive
heuristics

Structural
Patterns

Performance

Abstracting a transition system: example

Example (15-puzzle)

A **15-puzzle** state is given by a permutation $\langle b, t_1, \dots, t_{15} \rangle$ of $\{1, \dots, 16\}$, where b denotes the blank position and the other components denote the positions of the 15 tiles.

One possible **abstraction mapping** ignores the precise location of tiles 8–15, i. e., two states are distinguished iff they differ in the position of the blank or one of the tiles 1–7:

$$\alpha(\langle b, t_1, \dots, t_{15} \rangle) = \langle b, t_1, \dots, t_7 \rangle$$

The heuristic values for this abstraction correspond to the cost of moving tiles 1–7 to their goal positions.

Automated
(AI) Planning

Abstractions:
informally

Introduction
Practical
requirements
Multiple
abstractions
Outlook

Abstractions:
formally

PDB
heuristics

Merge &
Shrink
Abstractions

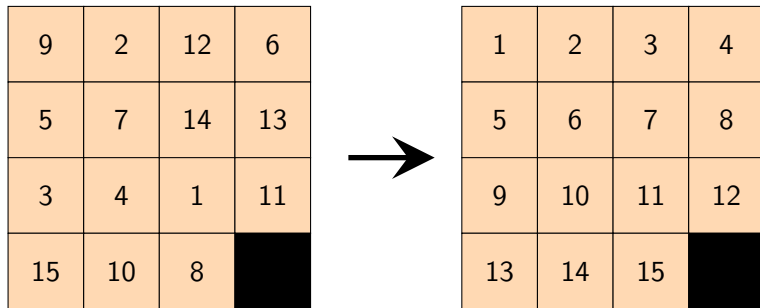
M&S
Algorithm

Additive
heuristics

Structural
Patterns

Performance

Abstraction example: 15-puzzle



real state space

- $16! = 20922789888000 \approx 2 \cdot 10^{13}$ states
- $\frac{16!}{2} = 10461394944000 \approx 10^{13}$ reachable states

Automated
(AI) Planning

Abstractions:
informally

Introduction

Practical
requirements
Multiple
abstractions
Outlook

Abstractions:
formally

PDB
heuristics

Merge &
Shrink
Abstractions

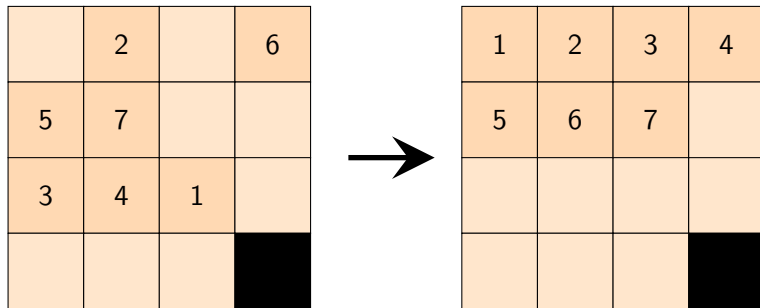
M&S
Algorithm

Additive
heuristics

Structural
Patterns

Performance

Abstraction example: 15-puzzle



abstract state space

- $16 \cdot 15 \cdot \dots \cdot 9 = 518918400 \approx 5 \cdot 10^8$ states
- $16 \cdot 15 \cdot \dots \cdot 9 = 518918400 \approx 5 \cdot 10^8$ reachable states

Automated
(AI) Planning

Abstractions:
informally

Introduction

Practical
requirements

Multiple
abstractions

Outlook

Abstractions:
formally

PDB
heuristics

Merge &
Shrink
Abstractions

M&S
Algorithm

Additive
heuristics

Structural
Patterns

Performance

Computing the abstract transition system

Given \mathcal{T} and α , how do we compute \mathcal{T}' ?

Requirement

We want to obtain an **admissible heuristic**.

Hence, $h^*(\alpha(s))$ (in the abstract state space \mathcal{T}') should never overestimate $h^*(s)$ (in the concrete state space \mathcal{T}).

An easy way to achieve this is to ensure that **all solutions in \mathcal{T} also exist in \mathcal{T}'** :

- If s is a goal state in \mathcal{T} , then $\alpha(s)$ is a goal state in \mathcal{T}' .
- If \mathcal{T} has a transition from s to t , then \mathcal{T}' has a transition from $\alpha(s)$ to $\alpha(t)$.

Automated
(AI) Planning

Abstractions:
informally

Introduction
Practical
requirements
Multiple
abstractions
Outlook

Abstractions:
formally

PDB
heuristics

Merge &
Shrink
Abstractions

M&S
Algorithm

Additive
heuristics

Structural
Patterns

Performance

Practical requirements for abstractions

To be useful in practice, an abstraction heuristic must be efficiently computable. This gives us two requirements for α :

- For a given state s , the **abstract state** $\alpha(s)$ must be efficiently computable.
- For a given abstract state $\alpha(s)$, the **abstract goal distance** $h^*(\alpha(s))$ must be efficiently computable.

There are different ways of achieving these requirements:

- **pattern database heuristics** (Culberson & Schaeffer, 1996)
- **merge-and-shrink abstractions** (Dräger, Finkbeiner & Podelski, 2006)
- **structural patterns** (Katz & Domshlak, 2008)

Automated
(AI) Planning

Abstractions:
informally

Introduction
Practical
requirements
Multiple
abstractions
Outlook

Abstractions:
formally

PDB
heuristics

Merge &
Shrink
Abstractions

M&S
Algorithm

Additive
heuristics

Structural
Patterns

Performance

Practical requirements for abstractions: example

Example (15-puzzle)

In our running example, α can be very efficiently computed: just project the given 16-tuple to its first 8 components.

To compute abstract goal distances efficiently during search, most common algorithms precompute **all abstract goal distances** prior to search by performing a backward breadth-first search from the goal state(s). The distances are then stored in a table (requires about 495 MB of RAM).

During search, computing $h^*(\alpha(s))$ is just a table lookup.

This heuristic is an example of a **pattern database heuristic**.

Automated
(AI) Planning

Abstractions:
informally

Introduction

Practical
requirements

Multiple
abstractions

Outlook

Abstractions:
formally

PDB
heuristics

Merge &
Shrink
Abstractions

M&S
Algorithm

Additive
heuristics

Structural
Patterns

Performance

Multiple abstractions

- One important practical question is how to come up with a suitable abstraction mapping α .
- Indeed, there is usually a **huge number of possibilities**, and it is important to pick good abstractions (i. e., ones that lead to informative heuristics).
- However, it is generally **not necessary to commit to a single abstraction**.

Automated
(AI) Planning

Abstractions:
informally

Introduction
Practical
requirements

**Multiple
abstractions**
Outlook

Abstractions:
formally

PDB
heuristics

Merge &
Shrink
Abstractions

M&S
Algorithm

Additive
heuristics

Structural
Patterns

Performance

Combining multiple abstractions

Maximizing several abstractions:

- Each abstraction mapping gives rise to an admissible heuristic.
- By computing the **maximum** of several admissible heuristics, we obtain another admissible heuristic which **dominates** the component heuristics.
- Thus, we can always compute several abstractions and maximize over the individual abstract goal distances.

Adding several abstractions:

- In some cases, we can even compute the **sum** of individual estimates and still stay admissible.
- Summation often leads to **much higher estimates** than maximization, so it is **important to understand when it is admissible**.

Automated
(AI) Planning

Abstractions:
informally

Introduction
Practical
requirements
**Multiple
abstractions**
Outlook

Abstractions:
formally

PDB
heuristics

Merge &
Shrink
Abstractions

M&S
Algorithm

Additive
heuristics

Structural
Patterns

Performance

Maximizing several abstractions: example

Example (15-puzzle)

- mapping to tiles 1–7 was arbitrary
 \leadsto can use **any subset** of tiles
- with the same amount of memory required for the tables for the mapping to tiles 1–7, we could store the tables for **nine different abstractions** to six tiles and the blank
- use **maximum** of individual estimates

Automated
(AI) Planning

Abstractions:
informally

Introduction
Practical
requirements
**Multiple
abstractions**
Outlook

Abstractions:
formally

PDB
heuristics

Merge &
Shrink
Abstractions

M&S
Algorithm

Additive
heuristics

Structural
Patterns

Performance

Adding several abstractions: example

9	2	12	6
5	7	14	13
3	4	1	11
15	10	8	

9	2	12	6
5	7	14	13
3	4	1	11
15	10	8	

- **1st abstraction:** ignore precise location of 8–15
 - **2nd abstraction:** ignore precise location of 1–7
- ↪ Is the **sum** of the abstraction heuristics **admissible**?

Automated
(AI) Planning

Abstractions:
informally

Introduction
Practical
requirements

**Multiple
abstractions**
Outlook

Abstractions:
formally

PDB
heuristics

Merge &
Shrink
Abstractions

M&S
Algorithm

Additive
heuristics

Structural
Patterns

Performance

Adding several abstractions: example

	2		6
5	7		
3	4	1	

9		12	
		14	13
			11
15	10	8	

- **1st abstraction:** ignore precise location of 8–15
 - **2nd abstraction:** ignore precise location of 1–7
- ↪ The **sum** of the abstraction heuristics is **not admissible**.

Automated
(AI) Planning

Abstractions:
informally

Introduction
Practical
requirements

**Multiple
abstractions**
Outlook

Abstractions:
formally

PDB
heuristics

Merge &
Shrink
Abstractions

M&S
Algorithm

Additive
heuristics

Structural
Patterns

Performance

Adding several abstractions: example

	2		6
5	7		
3	4	1	

9		12	
		14	13
			11
15	10	8	

- **1st abstraction:** ignore precise location of 8–15 and blank
 - **2nd abstraction:** ignore precise location of 1–7 and blank
- ↪ The **sum** of the abstraction heuristics is **admissible**.

Automated
(AI) Planning

Abstractions:
informally

Introduction
Practical
requirements

**Multiple
abstractions**
Outlook

Abstractions:
formally

PDB
heuristics

Merge &
Shrink
Abstractions

M&S
Algorithm

Additive
heuristics

Structural
Patterns

Performance

Our plan for the lecture

In the following, we take a deeper look at abstractions and their use for admissible heuristics.

- In the rest of **this chapter**, we **formally introduce** abstractions and abstraction heuristics and study some of their most important properties.
- In the **following chapters**, we discuss some particular classes of abstraction heuristics in detail, namely **pattern database heuristics**, **merge-and-shrink abstractions**, and **structural patterns**.

Automated
(AI) Planning

Abstractions:
informally

Introduction
Practical
requirements
Multiple
abstractions
Outlook

Abstractions:
formally

PDB
heuristics

Merge &
Shrink
Abstractions

M&S
Algorithm

Additive
heuristics

Structural
Patterns

Performance

Outline

- 1 Abstractions informally
- 2 **Abstractions formally**
- 3 Projection abstractions (PDBs)
- 4 Merge-and-shrink abstractions
- 5 Generalized additive heuristics
- 6 Structural-pattern abstractions

Automated (AI) Planning

Abstractions: informally

Introduction
Practical
requirements
Multiple
abstractions
Outlook

Abstractions: formally

PDB heuristics

Merge & Shrink Abstractions

M&S Algorithm

Additive heuristics

Structural Patterns

Performance

Transition systems

Definition (transition system)

A **transition system** is a 5-tuple $\mathcal{T} = \langle S, L, T, I, G \rangle$ where

- S is a finite set of **states** (the **state space**),
- L is a finite set of (transition) **labels**,
- $T \subseteq S \times L \times S$ is the **transition relation**,
- $I \subseteq S$ is the set of **initial states**, and
- $G \subseteq S$ is the set of **goal states**.

We say that \mathcal{T} **has the transition** $\langle s, l, s' \rangle$ if $\langle s, l, s' \rangle \in T$.

Note: For technical reasons, the definition slightly differs from our earlier one. (It includes explicit labels.)

Automated
(AI) Planning

Abstractions:
informally

Abstractions:
formally

Transition
systems
Abstractions
Abstraction
heuristics
Additivity
Refinements
Practice

PDB
heuristics

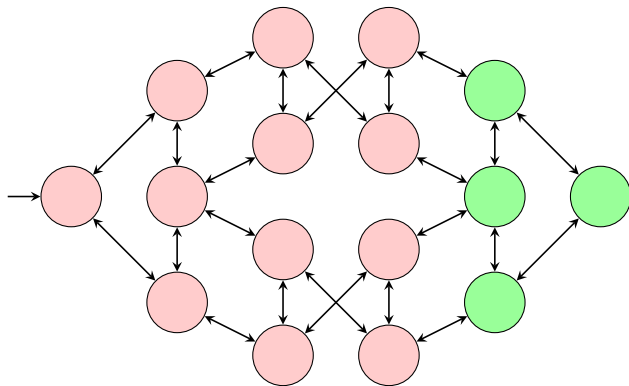
Merge &
Shrink
Abstractions

M&S
Algorithm

Additive
heuristics

Structural
Patterns

Transition systems: example



Note: To reduce clutter, our figures usually omit arc labels and collapse transitions between identical states. However, these are important for the formal definition of the transition system.

Automated
(AI) Planning

Abstractions:
informally

Abstractions:
formally

Transition
systems

Abstractions

Abstraction
heuristics

Additivity

Refinements

Practice

PDB

heuristics

Merge &

Shrink

Abstractions

M&S

Algorithm

Additive

heuristics

Structural

Patterns

Transition systems of SAS⁺ planning tasks

Definition (transition system of an SAS⁺ planning task)

Let $\Pi = \langle V, I, O, G \rangle$ be an SAS⁺ planning task.

The **transition system of Π** , in symbols $\mathcal{T}(\Pi)$, is the transition system $\mathcal{T}(\Pi) = \langle S', L', T', I', G' \rangle$, where

- S' is the set of states over V ,
- $L' = O$,
- $T' = \{ \langle s', o', t' \rangle \in S' \times L' \times S' \mid \text{app}_{o'}(s') = t' \}$,
- $I' = \{I\}$, and
- $G' = \{s' \in S' \mid s' \models G\}$.

Automated
(AI) Planning

Abstractions:
informally

Abstractions:
formally

Transition
systems
Abstractions
Abstraction
heuristics
Additivity
Refinements
Practice

PDB
heuristics

Merge &
Shrink
Abstractions

M&S
Algorithm

Additive
heuristics

Structural
Patterns

Example task: one package, two trucks

Example (one package, two trucks)

Consider the following SAS⁺ planning task $\langle V, I, O, G \rangle$:

- $V = \{p, t_A, t_B\}$ with
 - $\mathcal{D}_p = \{L, R, A, B\}$
 - $\mathcal{D}_{t_A} = \mathcal{D}_{t_B} = \{L, R\}$
- $I = \{p \mapsto L, t_A \mapsto R, t_B \mapsto R\}$
- $O = \{\text{pickup}_{i,j} \mid i \in \{A, B\}, j \in \{L, R\}\} \cup \{\text{drop}_{i,j} \mid i \in \{A, B\}, j \in \{L, R\}\} \cup \{\text{move}_{i,j,j'} \mid i \in \{A, B\}, j, j' \in \{L, R\}, j \neq j'\}$, where
 - $\text{pickup}_{i,j} = \langle t_i = j \wedge p = j, p := i \rangle$
 - $\text{drop}_{i,j} = \langle t_i = j \wedge p = i, p := j \rangle$
 - $\text{move}_{i,j,j'} = \langle t_i = j, t_i := j' \rangle$
- $G = (p = R)$

Automated
(AI) Planning

Abstractions:
informally

Abstractions:
formally

Transition
systems

Abstractions
Abstraction
heuristics

Additivity
Refinements
Practice

PDB
heuristics

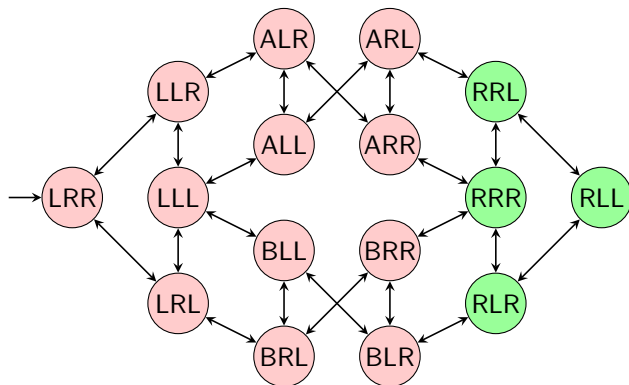
Merge &
Shrink
Abstractions

M&S
Algorithm

Additive
heuristics

Structural
Patterns

Transition system of example task



- State $\{p \mapsto i, t_A \mapsto j, t_B \mapsto k\}$ is depicted as ijk .
- Transition labels are again not shown. For example, the transition from LLL to ALL has the label $\text{pickup}_{A,L}$.

Automated
(AI) Planning

Abstractions:
informally

Abstractions:
formally

Transition
systems

Abstractions

Abstraction
heuristics

Additivity

Refinements

Practice

PDB
heuristics

Merge &
Shrink
Abstractions

M&S
Algorithm

Additive
heuristics

Structural
Patterns

Definition (abstraction, abstraction mapping)

Let $\mathcal{T} = \langle S, L, T, I, G \rangle$ and $\mathcal{T}' = \langle S', L', T', I', G' \rangle$ be transition systems with the same label set $L = L'$, and let $\alpha : S \rightarrow S'$.

We say that \mathcal{T}' is **an abstraction of \mathcal{T} with abstraction mapping α** (or: **abstraction function α**) if

- for all $s \in I$, we have $\alpha(s) \in I'$,
- for all $s \in G$, we have $\alpha(s) \in G'$, and
- for all $\langle s, l, t \rangle \in T$, we have $\langle \alpha(s), l, \alpha(t) \rangle \in T'$.

Abstractions:
informally

Abstractions:
formally

Transition
systems

Abstractions

Abstraction
heuristics

Additivity

Refinements

Practice

PDB
heuristics

Merge &
Shrink
Abstractions

M&S
Algorithm

Additive
heuristics

Structural
Patterns

Abstraction heuristics

Definition (abstraction heuristic)

Let Π be an SAS^+ planning task with state space S , and let \mathcal{A} be an abstraction of $\mathcal{T}(\Pi)$ with abstraction mapping α .

The **abstraction heuristic induced by \mathcal{A} and α** , $h^{\mathcal{A},\alpha}$, is the heuristic function $h^{\mathcal{A},\alpha} : S \rightarrow \mathbb{N}_0 \cup \{\infty\}$ which maps each state $s \in S$ to $h_{\mathcal{A}}^*(\alpha(s))$ (the goal distance of $\alpha(s)$ in \mathcal{A}).

Note: $h^{\mathcal{A},\alpha}(s) = \infty$ if no goal state of \mathcal{A} is reachable from $\alpha(s)$

Automated
(AI) Planning

Abstractions:
informally

Abstractions:
formally

Transition
systems
Abstractions
Abstraction
heuristics
Additivity
Refinements
Practice

PDB
heuristics

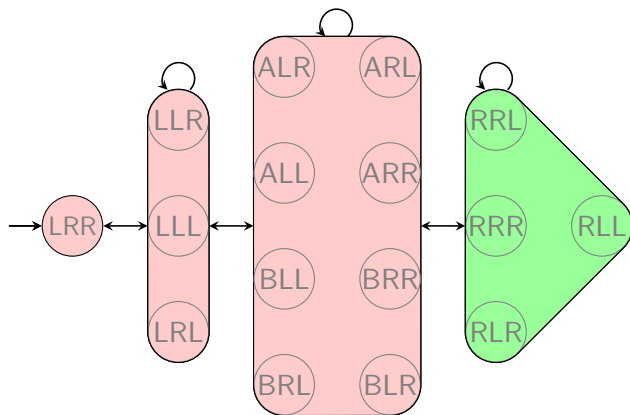
Merge &
Shrink
Abstractions

M&S
Algorithm

Additive
heuristics

Structural
Patterns

Abstraction heuristics: example



$$h^{\mathcal{A}, \alpha}(\{p \mapsto L, t_A \mapsto R, t_B \mapsto R\}) = 3$$

Automated
(AI) Planning

Abstractions:
informally

Abstractions:
formally

Transition
systems

Abstractions
Abstraction
heuristics

Additivity
Refinements
Practice

PDB
heuristics

Merge &
Shrink
Abstractions

M&S
Algorithm

Additive
heuristics

Structural
Patterns

Consistency of abstraction heuristics

Theorem (consistency and admissibility of $h^{\mathcal{A},\alpha}$)

Let Π be an SAS⁺ planning task, and let \mathcal{A} be an abstraction of $\mathcal{T}(\Pi)$ with abstraction mapping α .

Then $h^{\mathcal{A},\alpha}$ is safe, goal-aware, admissible and consistent.

Automated
(AI) Planning

Abstractions:
informally

Abstractions:
formally

Transition
systems

Abstractions
Abstraction
heuristics

Additivity
Refinements
Practice

PDB
heuristics

Merge &
Shrink
Abstractions

M&S
Algorithm

Additive
heuristics

Structural
Patterns

Orthogonality of abstraction mappings

Definition (orthogonal abstraction mappings)

Let α_1 and α_2 be abstraction mappings on \mathcal{T} .

We say that α_1 and α_2 are **orthogonal** if for all transitions $\langle s, l, t \rangle$ of \mathcal{T} , we have $\alpha_i(s) = \alpha_i(t)$ for at least one $i \in \{1, 2\}$.

Automated
(AI) Planning

Abstractions:
informally

Abstractions:
formally

Transition
systems

Abstractions
heuristics

Additivity
Refinements
Practice

PDB
heuristics

Merge &
Shrink
Abstractions

M&S
Algorithm

Additive
heuristics

Structural
Patterns

Affecting transition labels

Definition (affecting transition labels)

Let \mathcal{T} be a transition system, and let l be one of its labels.
We say that l **affects** \mathcal{T} if \mathcal{T} has a transition $\langle s, l, t \rangle$ with $s \neq t$.

Theorem (affecting labels vs. orthogonality)

*Let \mathcal{A}_1 be an abstraction of \mathcal{T} with abstraction mapping α_1 .
Let \mathcal{A}_2 be an abstraction of \mathcal{T} with abstraction mapping α_2 .
If no label of \mathcal{T} affects both \mathcal{A}_1 and \mathcal{A}_2 , then α_1 and α_2 are orthogonal.*

Automated
(AI) Planning

Abstractions:
informally

Abstractions:
formally

Transition
systems
Abstractions
Abstraction
heuristics
Additivity
Refinements
Practice

PDB
heuristics

Merge &
Shrink
Abstractions

M&S
Algorithm

Additive
heuristics

Structural
Patterns

Orthogonal abstraction mappings: example

	2		6
5	7		
3	4	1	

9		12	
		14	13
			11
15	10	8	

Are the abstraction mappings orthogonal?

Automated
(AI) Planning

Abstractions:
informally

Abstractions:
formally

Transition
systems

Abstractions

Abstraction
heuristics

Additivity

Refinements

Practice

PDB
heuristics

Merge &
Shrink
Abstractions

M&S
Algorithm

Additive
heuristics

Structural
Patterns

Orthogonal abstraction mappings: example

	2		6
5	7		
3	4	1	

9		12	
		14	13
			11
15	10	8	

Are the abstraction mappings orthogonal?

Automated
(AI) Planning

Abstractions:
informally

Abstractions:
formally

Transition
systems

Abstractions

Abstraction
heuristics

Additivity

Refinements

Practice

PDB
heuristics

Merge &
Shrink
Abstractions

M&S
Algorithm

Additive
heuristics

Structural
Patterns

Orthogonality and additivity

Theorem (additivity for orthogonal abstraction mappings)

Let $h^{A_1, \alpha_1}, \dots, h^{A_n, \alpha_n}$ be abstraction heuristics for the same planning task Π such that α_i and α_j are orthogonal for all $i \neq j$.

Then $\sum_{i=1}^n h^{A_i, \alpha_i}$ is a safe, goal-aware, admissible and consistent heuristic for Π .

Automated
(AI) Planning

Abstractions:
informally

Abstractions:
formally

Transition
systems

Abstractions
Abstraction
heuristics

Additivity
Refinements
Practice

PDB
heuristics

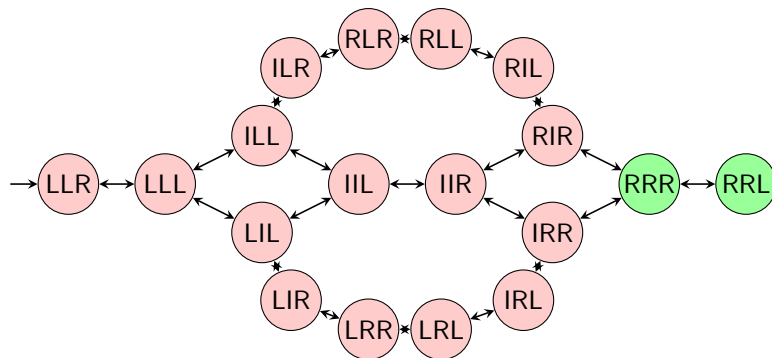
Merge &
Shrink
Abstractions

M&S
Algorithm

Additive
heuristics

Structural
Patterns

Orthogonality and additivity: example



transition system \mathcal{T}

state variables: first package, second package, truck

Automated
(AI) Planning

Abstractions:
informally

Abstractions:
formally

Transition
systems
Abstractions
Abstraction
heuristics
Additivity
Refinements
Practice

PDB
heuristics

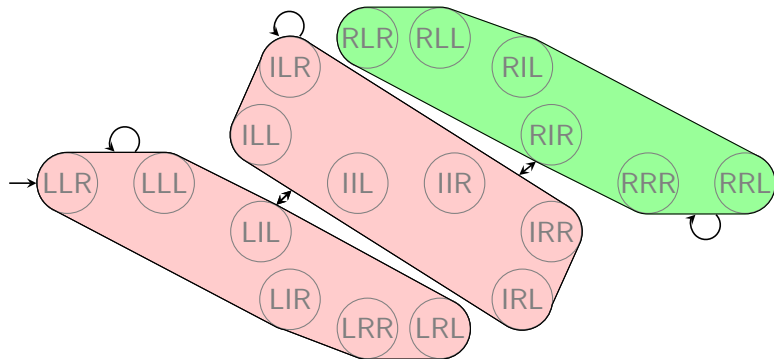
Merge &
Shrink
Abstractions

M&S
Algorithm

Additive
heuristics

Structural
Patterns

Orthogonality and additivity: example



abstraction \mathcal{A}_1

mapping: only consider state of first package

Automated
(AI) Planning

Abstractions:
informally

Abstractions:
formally

Transition
systems

Abstractions

Abstraction
heuristics

Additivity

Refinements

Practice

PDB

heuristics

Merge &

Shrink

Abstractions

M&S

Algorithm

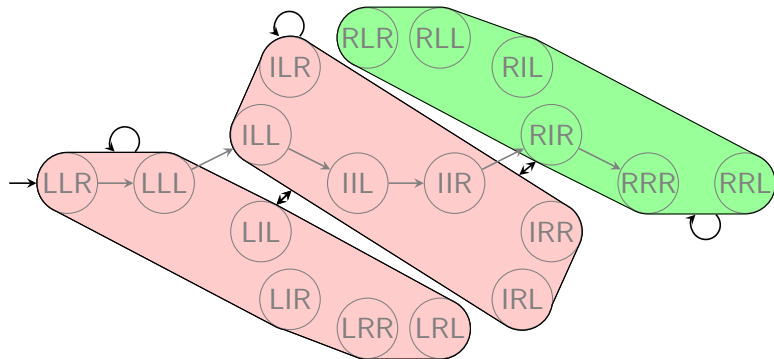
Additive

heuristics

Structural

Patterns

Orthogonality and additivity: example



abstraction \mathcal{A}_1

mapping: only consider state of first package

Automated
(AI) Planning

Abstractions:
informally

Abstractions:
formally

Transition
systems

Abstractions

Abstraction
heuristics

Additivity

Refinements

Practice

PDB
heuristics

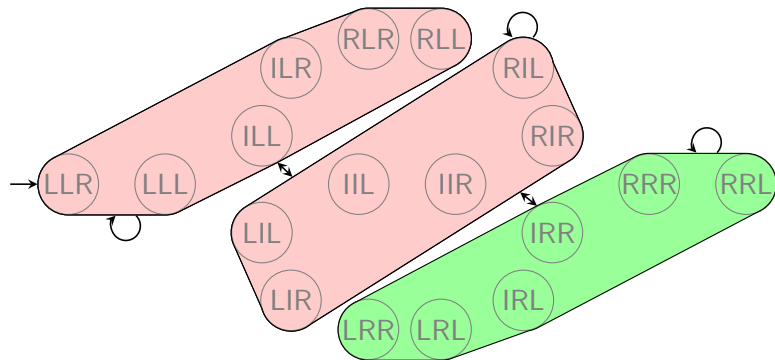
Merge &
Shrink
Abstractions

M&S
Algorithm

Additive
heuristics

Structural
Patterns

Orthogonality and additivity: example



abstraction \mathcal{A}_2 (orthogonal to \mathcal{A}_1)

mapping: only consider state of second package

Automated
(AI) Planning

Abstractions:
informally

Abstractions:
formally

Transition
systems

Abstractions

Abstraction
heuristics

Additivity

Refinements

Practice

PDB
heuristics

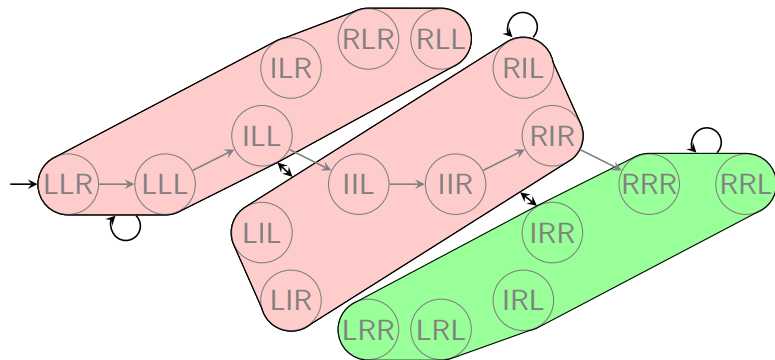
Merge &
Shrink
Abstractions

M&S
Algorithm

Additive
heuristics

Structural
Patterns

Orthogonality and additivity: example



abstraction \mathcal{A}_2 (orthogonal to \mathcal{A}_1)

mapping: only consider state of second package

Automated
(AI) Planning

Abstractions:
informally

Abstractions:
formally

Transition
systems
Abstractions
Abstraction
heuristics

Additivity
Refinements
Practice

PDB
heuristics

Merge &
Shrink
Abstractions

M&S
Algorithm

Additive
heuristics

Structural
Patterns

Abstractions of abstractions

Theorem (transitivity of abstractions)

Let \mathcal{T} , \mathcal{T}' and \mathcal{T}'' be transition systems.

- If \mathcal{T}' is an abstraction of \mathcal{T} and \mathcal{T}'' is an abstraction of \mathcal{T}' , then \mathcal{T}'' is an abstraction of \mathcal{T} .
- If \mathcal{T}' is a homomorphic abstraction of \mathcal{T} and \mathcal{T}'' is a homomorphic abstraction of \mathcal{T}' , then \mathcal{T}'' is a homomorphic abstraction of \mathcal{T} .

Automated
(AI) Planning

Abstractions:
informally

Abstractions:
formally

Transition
systems
Abstractions
Abstraction
heuristics
Additivity
Refinements
Practice

PDB
heuristics

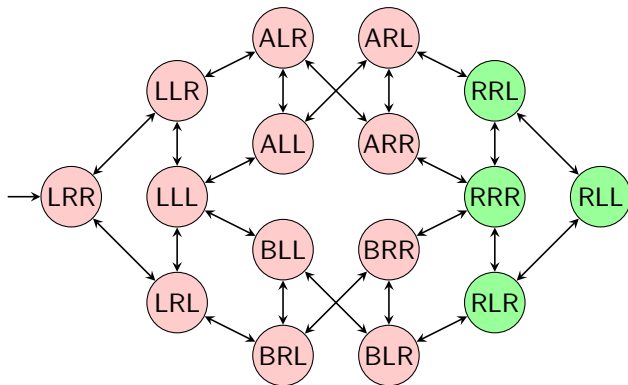
Merge &
Shrink
Abstractions

M&S
Algorithm

Additive
heuristics

Structural
Patterns

Abstractions of abstractions: example



transition system \mathcal{T}

Automated
(AI) Planning

Abstractions:
informally

Abstractions:
formally

Transition
systems

Abstractions
Abstraction
heuristics

Additivity
Refinements
Practice

PDB
heuristics

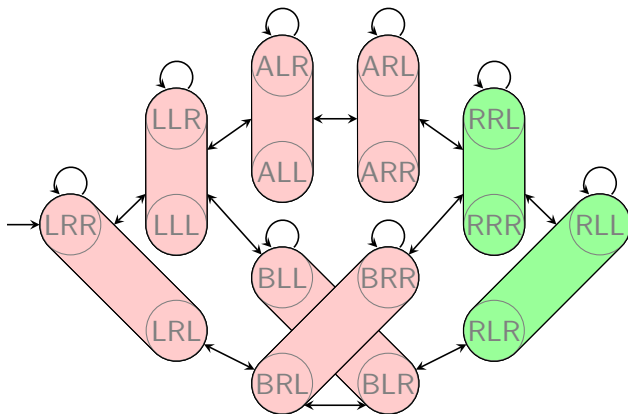
Merge &
Shrink
Abstractions

M&S
Algorithm

Additive
heuristics

Structural
Patterns

Abstractions of abstractions: example



Transition system T' as an abstraction of T

Automated
(AI) Planning

Abstractions:
informally

Abstractions:
formally

Transition
systems

Abstractions

Abstraction
heuristics

Additivity

Refinements

Practice

PDB

heuristics

Merge &

Shrink

Abstractions

M&S

Algorithm

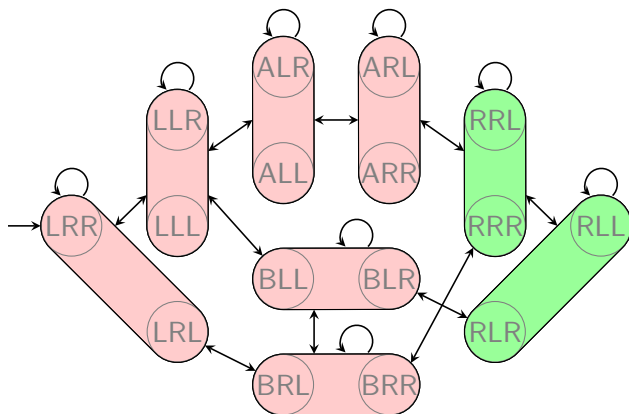
Additive

heuristics

Structural

Patterns

Abstractions of abstractions: example



Transition system T' as an abstraction of T

Automated
(AI) Planning

Abstractions:
informally

Abstractions:
formally

Transition
systems

Abstractions

Abstraction
heuristics

Additivity

Refinements

Practice

PDB

heuristics

Merge &

Shrink

Abstractions

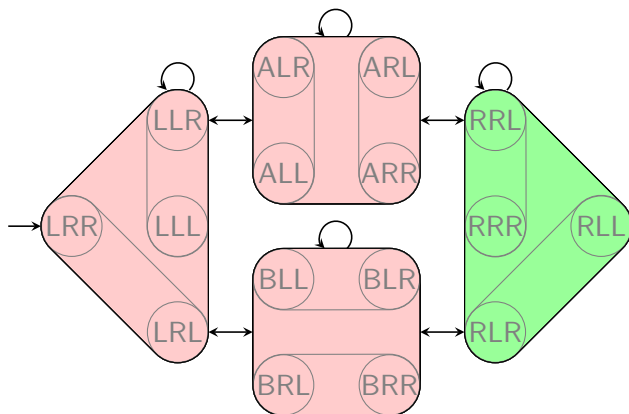
M&S

Algorithm

Additive
heuristics

Structural
Patterns

Abstractions of abstractions: example



Transition system T'' as an abstraction of T'

Automated
(AI) Planning

Abstractions:
informally

Abstractions:
formally

Transition
systems

Abstractions

Abstraction
heuristics

Additivity

Refinements

Practice

PDB

heuristics

Merge &

Shrink

Abstractions

M&S

Algorithm

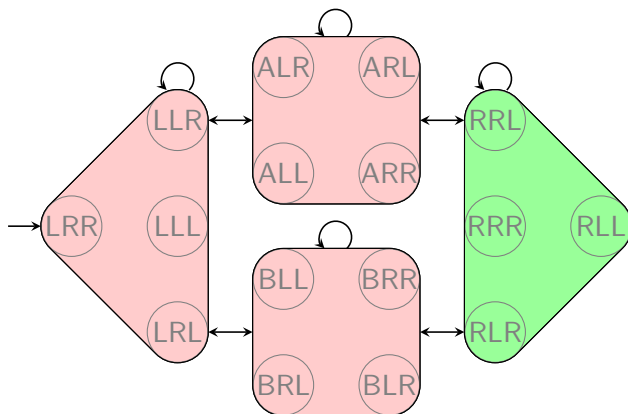
Additive

heuristics

Structural

Patterns

Abstractions of abstractions: example



Transition system \mathcal{T}'' as an abstraction of \mathcal{T}

Automated
(AI) Planning

Abstractions:
informally

Abstractions:
formally

Transition
systems
Abstractions
Abstraction
heuristics
Additivity
Refinements
Practice

PDB
heuristics

Merge &
Shrink
Abstractions

M&S
Algorithm

Additive
heuristics

Structural
Patterns

Coarsenings and refinements

Terminology: Let \mathcal{T} be a transition system, let \mathcal{T}' be an abstraction of \mathcal{T} with abstraction mapping α , and let \mathcal{T}'' be an abstraction of \mathcal{T}' with abstraction mapping α' .

Then:

- $\langle \mathcal{T}'', \alpha' \circ \alpha \rangle$ is called a **coarsening** of $\langle \mathcal{T}', \alpha \rangle$, and
- $\langle \mathcal{T}', \alpha \rangle$ is called a **refinement** of $\langle \mathcal{T}'', \alpha' \circ \alpha \rangle$.

Theorem (heuristic quality of refinements)

Let $h^{\mathcal{A},\alpha}$ and $h^{\mathcal{B},\beta}$ be abstraction heuristics for the same planning task Π such that $\langle \mathcal{A}, \alpha \rangle$ is a refinement of $\langle \mathcal{B}, \beta \rangle$.

Then $h^{\mathcal{A},\alpha}$ dominates $h^{\mathcal{B},\beta}$.

In other words, $h^{\mathcal{A},\alpha}(s) \geq h^{\mathcal{B},\beta}(s)$ for all states s of Π .

Automated
(AI) Planning

Abstractions:
informally

Abstractions:
formally

Transition
systems

Abstractions
Abstraction
heuristics

Additivity

Refinements

Practice

PDB
heuristics

Merge &
Shrink
Abstractions

M&S
Algorithm

Additive
heuristics

Structural
Patterns

Using abstraction heuristics in practice

In practice, there are conflicting goals for abstractions:

- we want to obtain an **informative heuristic**, but
- want to keep its **representation small**.

Abstractions have small representations if they have

- **few abstract states** and
- a **succinct encoding for α** .

Automated
(AI) Planning

Abstractions:
informally

Abstractions:
formally

Transition
systems

Abstractions
Abstraction
heuristics

Additivity
Refinements
Practice

PDB
heuristics

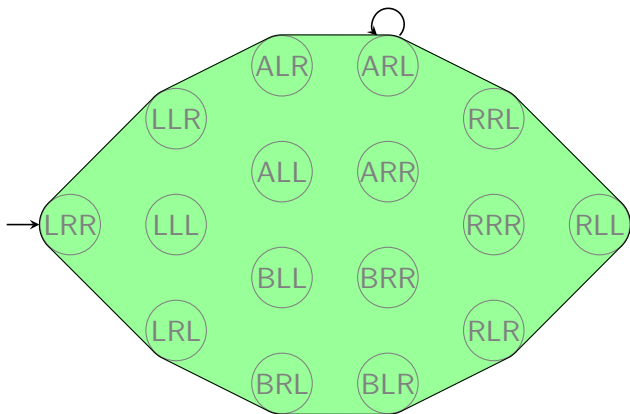
Merge &
Shrink
Abstractions

M&S
Algorithm

Additive
heuristics

Structural
Patterns

Counterexample: one-state abstraction



One-state abstraction: $\alpha(s) := \text{const.}$

- + very few abstract states and succinct encoding for α
- completely uninformative heuristic

Automated
(AI) Planning

Abstractions:
informally

Abstractions:
formally

Transition
systems

Abstractions
Abstraction
heuristics

Additivity
Refinements
Practice

PDB
heuristics

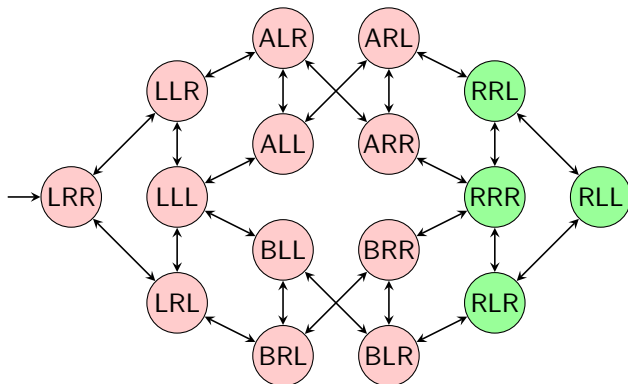
Merge &
Shrink
Abstractions

M&S
Algorithm

Additive
heuristics

Structural
Patterns

Counterexample: identity abstraction



Identity abstraction: $\alpha(s) := s$.

- + perfect heuristic and succinct encoding for α
- too many abstract states

Automated
(AI) Planning

Abstractions:
informally

Abstractions:
formally

Transition
systems

Abstractions

Abstraction
heuristics

Additivity

Refinements

Practice

PDB
heuristics

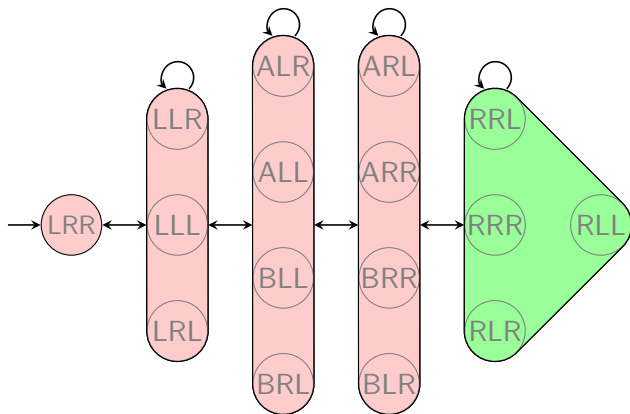
Merge &
Shrink
Abstractions

M&S
Algorithm

Additive
heuristics

Structural
Patterns

Counterexample: perfect abstraction



Perfect abstraction: $\alpha(s) := h^*(s)$.

- + perfect heuristic and usually few abstract states
- usually no succinct encoding for α

Automated
(AI) Planning

Abstractions:
informally

Abstractions:
formally

Transition
systems

Abstractions

Abstraction
heuristics

Additivity
Refinements

Practice

PDB
heuristics

Merge &
Shrink
Abstractions

M&S
Algorithm

Additive
heuristics

Structural
Patterns

Automatically deriving good abstraction heuristics

Abstraction heuristics for planning: main research problem

Automatically derive effective abstraction heuristics
for planning tasks.

Next we

- ~> study three state-of-the-art approaches to exploiting abstractions in practice
- ~> consider more closely the issue of additivity

Automated
(AI) Planning

Abstractions:
informally

Abstractions:
formally

Transition
systems

Abstractions
heuristics

Additivity
Refinements
Practice

PDB
heuristics

Merge &
Shrink
Abstractions

M&S
Algorithm

Additive
heuristics

Structural
Patterns

Outline

- 1 Abstractions informally
- 2 Abstractions formally
- 3 **Projection abstractions (PDBs)**
- 4 Merge-and-shrink abstractions
- 5 Generalized additive heuristics
- 6 Structural-pattern abstractions

Automated
(AI) Planning

Abstractions:
informally

Abstractions:
formally

Transition
systems
Abstractions
heuristics
Additivity
Refinements
Practice

PDB
heuristics

Merge &
Shrink
Abstractions

M&S
Algorithm

Additive
heuristics

Structural
Patterns

Pattern database heuristics

- The most commonly used abstraction heuristics in search and planning are **pattern database (PDB) heuristics**.
- PDB heuristics were originally introduced for the **15-puzzle** (Culberson & Schaeffer, 1996) and for **Rubik's cube** (Korf, 1997).
- The first use for **domain-independent planning** is due to Edelkamp (2001).
- Since then, much research has focused on the theoretical properties of pattern databases, how to use pattern databases more effectively, how to find good patterns, etc.
- Pattern databases are a **very active research area** both in planning and in (domain-specific) heuristic search.
- For many search problems, pattern databases are the **most effective admissible heuristics** currently known.

Automated
(AI) Planning

Abstractions:
informally

Abstractions:
formally

PDB
heuristics

Projections

Examples

Additivity

Canonical

heuristic
function

Merge &
Shrink
Abstractions

M&S
Algorithm

Additive
heuristics

Structural
Patterns

Performance

Pattern database heuristics informally

Pattern databases: informally

A pattern database heuristic for a planning task is an abstraction heuristic where

- some aspects of the task are represented in the abstraction **with perfect precision**, while
- all other aspects of the task are **not represented at all**.

Example (15-puzzle)

- Choose a subset T of tiles (the **pattern**).
- Faithfully represent the locations of T in the abstraction.
- Assume that all other tiles and the blank can be anywhere in the abstraction.

Automated
(AI) Planning

Abstractions:
informally

Abstractions:
formally

PDB
heuristics

Projections
Examples
Additivity
Canonical
heuristic
function

Merge &
Shrink
Abstractions

M&S
Algorithm

Additive
heuristics

Structural
Patterns

Performance

Projections

Formally, pattern database heuristics are induced abstractions of a particular class of homomorphisms called **projections**.

Definition (projections)

Let Π be an SAS^+ planning task with variable set V and state set S . Let $P \subseteq V$, and let S' be the set of states over P .

The **projection** $\pi_P : S \rightarrow S'$ is defined as $\pi_P(s) := s|_P$ (with $s|_P(v) := s(v)$ for all $v \in P$).

We call P the **pattern** of the projection π_P .

In other words, π_P maps two states s_1 and s_2 to the same abstract state iff they agree on all variables in P .

Automated
(AI) Planning

Abstractions:
informally

Abstractions:
formally

PDB
heuristics

Projections
Examples
Additivity
Canonical
heuristic
function

Merge &
Shrink
Abstractions

M&S
Algorithm

Additive
heuristics

Structural
Patterns

Performance

Pattern database heuristics

Abstraction heuristics for projections are called **pattern database (PDB)** heuristics.

Definition (pattern database heuristic)

The abstraction heuristic induced by π_P is called a **pattern database heuristic** or **PDB heuristic**.

We write h^P as a short-hand for h^{π_P} .

Why are they called **pattern database heuristics**?

- Heuristic values for PDB heuristics are traditionally stored in a 1-dimensional table (array) called a **pattern database (PDB)**. Hence the name “PDB heuristic”.

Automated
(AI) Planning

Abstractions:
informally

Abstractions:
formally

PDB
heuristics

Projections
Examples
Additivity
Canonical
heuristic
function

Merge &
Shrink
Abstractions

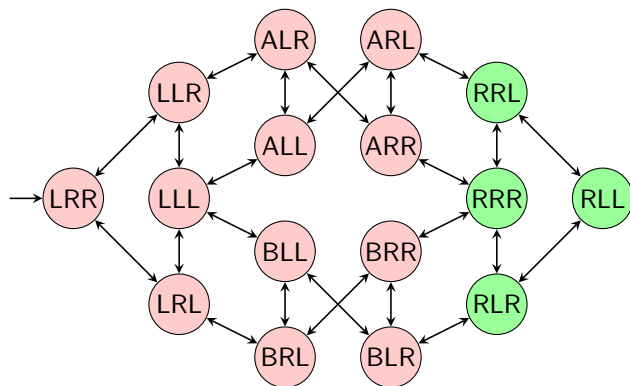
M&S
Algorithm

Additive
heuristics

Structural
Patterns

Performance

Example: transition system



Logistics problem with one package, two trucks, two locations:

- state variable **package**: $\{L, R, A, B\}$
- state variable **truck A**: $\{L, R\}$
- state variable **truck B**: $\{L, R\}$

Automated
(AI) Planning

Abstractions:
informally

Abstractions:
formally

PDB
heuristics

Projections

Examples

Additivity

Canonical

heuristic

function

Merge &
Shrink
Abstractions

M&S
Algorithm

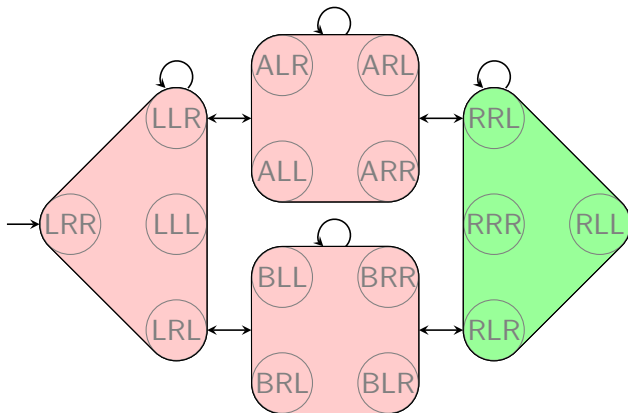
Additive
heuristics

Structural
Patterns

Performance

Example: projection

Abstraction induced by $\pi_{\{\text{package}\}}$:



$$h^{\{\text{package}\}}(\text{LRR}) = 2$$

Automated
(AI) Planning

Abstractions:
informally

Abstractions:
formally

PDB
heuristics

Projections

Examples

Additivity

Canonical

heuristic

function

Merge &
Shrink
Abstractions

M&S
Algorithm

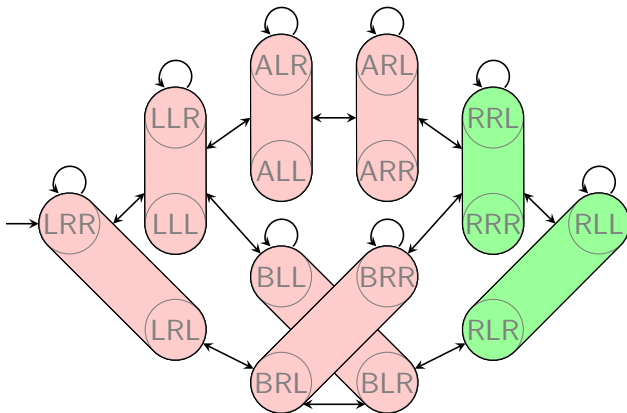
Additive
heuristics

Structural
Patterns

Performance

Example: projection (2)

Abstraction induced by $\pi_{\{\text{package, truck A}\}}$:



$$h_{\{\text{package, truck A}\}}(\text{LRR}) = 2$$

Automated
(AI) Planning

Abstractions:
informally

Abstractions:
formally

PDB
heuristics

Projections
Examples
Additivity
Canonical
heuristic
function

Merge &
Shrink
Abstractions

M&S
Algorithm

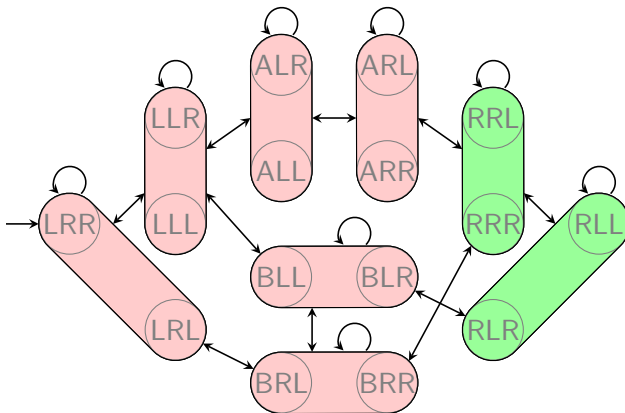
Additive
heuristics

Structural
Patterns

Performance

Example: projection (2)

Abstraction induced by $\pi_{\{\text{package, truck A}\}}$:



$$h_{\{\text{package, truck A}\}}(\text{LRR}) = 2$$

Automated
(AI) Planning

Abstractions:
informally

Abstractions:
formally

PDB
heuristics

Projections

Examples

Additivity

Canonical

heuristic

function

Merge &
Shrink
Abstractions

M&S
Algorithm

Additive
heuristics

Structural
Patterns

Performance

Pattern collections

- The space requirements for a pattern database grow **exponentially** with the **number of state variables** in the pattern.
- This places severe limits on the usefulness of single PDB heuristics h^P for larger planning task.
- To overcome this limitation, planners using pattern databases work with **collections of multiple patterns**.
- When using two patterns P_1 and P_2 , it is always possible to use the **maximum** of h^{P_1} and h^{P_2} as an admissible and consistent heuristic estimate.
- However, when possible, it is much preferable to use the **sum** of h^{P_1} and h^{P_2} as a heuristic estimate, since $h^{P_1} + h^{P_2} \geq \max\{h^{P_1}, h^{P_2}\}$.

Automated
(AI) Planning

Abstractions:
informally

Abstractions:
formally

PDB
heuristics

Projections

Examples

Additivity

Canonical
heuristic
function

Merge &
Shrink
Abstractions

M&S
Algorithm

Additive
heuristics

Structural
Patterns

Performance

Criterion for additive patterns

Theorem (additive pattern sets)

Let P_1, \dots, P_k be patterns for an SAS⁺ planning task Π .

If there exists no operator that has an effect on a variable $v_i \in P_i$ and on a variable $v_j \in P_j$ for some $i \neq j$, then

$\sum_{i=1}^k h^{P_i}$ is an admissible and consistent heuristic for Π .

A pattern set $\{P_1, \dots, P_k\}$ which satisfies the criterion of the theorem is called an **additive pattern set** or **additive set**.

Automated
(AI) Planning

Abstractions:
informally

Abstractions:
formally

PDB
heuristics

Projections

Examples

Additivity

Canonical
heuristic
function

Merge &
Shrink
Abstractions

M&S
Algorithm

Additive
heuristics

Structural
Patterns

Performance

Finding additive pattern sets

The theorem on additive pattern sets gives us a simple criterion to decide which pattern heuristics can be admissibly added.

Given a **pattern collection** \mathcal{C} (i. e., a set of patterns), we can use this information as follows:

- 1 Build the **compatibility graph** for \mathcal{C} .
 - Vertices correspond to patterns $P \in \mathcal{C}$.
 - There is an edge between two vertices iff no operator affects both incident patterns.

- 2 Compute **all maximal cliques** of the graph.

These correspond to maximal additive subsets of \mathcal{C} .

- Computing large cliques is an NP-hard problem, and a graph can have exponentially many maximal cliques.
- However, there are **output-polynomial** algorithms for finding all maximal cliques (Tomita, Tanaka & Takahashi, 2004) which have led to good results in practice.

Automated
(AI) Planning

Abstractions:
informally

Abstractions:
formally

PDB
heuristics

Projections
Examples

Additivity
Canonical
heuristic
function

Merge &
Shrink
Abstractions

M&S
Algorithm

Additive
heuristics

Structural
Patterns

Performance

The canonical heuristic function

Definition (canonical heuristic function)

Let Π be an SAS⁺ planning task, and let \mathcal{C} be a pattern collection for Π .

The **canonical heuristic** $h^{\mathcal{C}}$ for pattern collection \mathcal{C} is defined as

$$h^{\mathcal{C}}(s) = \max_{\mathcal{D} \in \text{cliques}(\mathcal{C})} \sum_{P \in \mathcal{D}} h^P(s),$$

where $\text{cliques}(\mathcal{C})$ is the set of all maximal cliques in the compatibility graph for \mathcal{C} .

For all choices of \mathcal{C} , heuristic $h^{\mathcal{C}}$ is admissible and consistent.

Automated
(AI) Planning

Abstractions:
informally

Abstractions:
formally

PDB
heuristics

Projections

Examples

Additivity

Canonical
heuristic
function

Merge &
Shrink
Abstractions

M&S
Algorithm

Additive
heuristics

Structural
Patterns

Performance

Canonical heuristic function: example

Example

Consider a planning task with state variables $V = \{v_1, v_2, v_3\}$ and the pattern collection $\mathcal{C} = \{P_1, \dots, P_4\}$ with $P_1 = \{v_1, v_2\}$, $P_2 = \{v_1\}$, $P_3 = \{v_2\}$ and $P_4 = \{v_3\}$.

There are operators affecting each individual variable, and the only operators affecting several variables affect v_1 and v_3 .

What are the maximal cliques in the compatibility graph for \mathcal{C} ?

Answer: $\{P_1\}, \{P_2, P_3\}, \{P_3, P_4\}$

What is the canonical heuristic function $h^{\mathcal{C}}$?

Answer:
$$h^{\mathcal{C}} = \max \{h^{P_1}, h^{P_2} + h^{P_3}, h^{P_3} + h^{P_4}\}$$
$$= \max \{h^{\{v_1, v_2\}}, h^{\{v_1\}} + h^{\{v_2\}}, h^{\{v_2\}} + h^{\{v_3\}}\}$$

Automated
(AI) Planning

Abstractions:
informally

Abstractions:
formally

PDB
heuristics

Projections

Examples

Additivity

Canonical
heuristic
function

Merge &
Shrink
Abstractions

M&S
Algorithm

Additive
heuristics

Structural
Patterns

Performance

Canonical heuristic function: example

Example

Consider a planning task with state variables $V = \{v_1, v_2, v_3\}$ and the pattern collection $\mathcal{C} = \{P_1, \dots, P_4\}$ with $P_1 = \{v_1, v_2\}$, $P_2 = \{v_1\}$, $P_3 = \{v_2\}$ and $P_4 = \{v_3\}$.

There are operators affecting each individual variable, and the only operators affecting several variables affect v_1 and v_3 .

What are the maximal cliques in the compatibility graph for \mathcal{C} ?

Answer: $\{P_1\}$, $\{P_2, P_3\}$, $\{P_3, P_4\}$

What is the canonical heuristic function $h^{\mathcal{C}}$?

Answer:
$$h^{\mathcal{C}} = \max \{h^{P_1}, h^{P_2} + h^{P_3}, h^{P_3} + h^{P_4}\}$$
$$= \max \{h^{\{v_1, v_2\}}, h^{\{v_1\}} + h^{\{v_2\}}, h^{\{v_2\}} + h^{\{v_3\}}\}$$

Automated
(AI) Planning

Abstractions:
informally

Abstractions:
formally

PDB
heuristics

Projections

Examples

Additivity

Canonical
heuristic
function

Merge &
Shrink
Abstractions

M&S
Algorithm

Additive
heuristics

Structural
Patterns

Performance

Canonical heuristic function: example

Example

Consider a planning task with state variables $V = \{v_1, v_2, v_3\}$ and the pattern collection $\mathcal{C} = \{P_1, \dots, P_4\}$ with $P_1 = \{v_1, v_2\}$, $P_2 = \{v_1\}$, $P_3 = \{v_2\}$ and $P_4 = \{v_3\}$.

There are operators affecting each individual variable, and the only operators affecting several variables affect v_1 and v_3 .

What are the maximal cliques in the compatibility graph for \mathcal{C} ?

Answer: $\{P_1\}$, $\{P_2, P_3\}$, $\{P_3, P_4\}$

What is the canonical heuristic function $h^{\mathcal{C}}$?

Answer:
$$h^{\mathcal{C}} = \max \{h^{P_1}, h^{P_2} + h^{P_3}, h^{P_3} + h^{P_4}\}$$
$$= \max \{h^{\{v_1, v_2\}}, h^{\{v_1\}} + h^{\{v_2\}}, h^{\{v_2\}} + h^{\{v_3\}}\}$$

Automated
(AI) Planning

Abstractions:
informally

Abstractions:
formally

PDB
heuristics

Projections

Examples

Additivity

Canonical
heuristic
function

Merge &
Shrink
Abstractions

M&S
Algorithm

Additive
heuristics

Structural
Patterns

Performance

Canonical heuristic function: example

Example

Consider a planning task with state variables $V = \{v_1, v_2, v_3\}$ and the pattern collection $\mathcal{C} = \{P_1, \dots, P_4\}$ with $P_1 = \{v_1, v_2\}$, $P_2 = \{v_1\}$, $P_3 = \{v_2\}$ and $P_4 = \{v_3\}$.

There are operators affecting each individual variable, and the only operators affecting several variables affect v_1 and v_3 .

What are the maximal cliques in the compatibility graph for \mathcal{C} ?

Answer: $\{P_1\}, \{P_2, P_3\}, \{P_3, P_4\}$

What is the canonical heuristic function $h^{\mathcal{C}}$?

Answer:
$$h^{\mathcal{C}} = \max \{h^{P_1}, h^{P_2} + h^{P_3}, h^{P_3} + h^{P_4}\}$$
$$= \max \{h^{\{v_1, v_2\}}, h^{\{v_1\}} + h^{\{v_2\}}, h^{\{v_2\}} + h^{\{v_3\}}\}$$

Automated
(AI) Planning

Abstractions:
informally

Abstractions:
formally

PDB
heuristics

Projections

Examples

Additivity

Canonical
heuristic
function

Merge &
Shrink
Abstractions

M&S
Algorithm

Additive
heuristics

Structural
Patterns

Performance

How good is the canonical heuristic function?

- The canonical heuristic function is the **best possible** admissible heuristic we can derive from \mathcal{C} using the **additivity criterion of orthogonality**.
- However, even better heuristic estimates can be obtained from projection heuristics using a **more general additivity criterion** based on an idea called **cost partitioning**.
 \rightsquigarrow *more on that later.*

Automated
(AI) Planning

Abstractions:
informally

Abstractions:
formally

PDB
heuristics

Projections

Examples

Additivity

Canonical
heuristic
function

Merge &
Shrink
Abstractions

M&S
Algorithm

Additive
heuristics

Structural
Patterns

Performance

Outline

- 1 Abstractions informally
- 2 Abstractions formally
- 3 Projection abstractions (PDBs)
- 4 Merge-and-shrink abstractions
- 5 Generalized additive heuristics
- 6 Structural-pattern abstractions

Automated
(AI) Planning

Abstractions:
informally

Abstractions:
formally

PDB
heuristics

Projections

Examples

Additivity

Canonical
heuristic
function

Merge &
Shrink
Abstractions

M&S
Algorithm

Additive
heuristics

Structural
Patterns

Performance

Beyond pattern databases

- Despite their popularity, pattern databases have some **fundamental limitations** (\leadsto example on next slides).
- In this chapter, we study a recently introduced class of abstractions called **merge-and-shrink abstractions**.
- Merge-and-shrink abstractions can be seen as a **proper generalization** of pattern databases.
 - They can do everything that pattern databases can do (modulo polynomial extra effort).
 - They can do some things that pattern databases cannot.
- Initial experiments with merge-and-shrink abstractions have shown very promising results.
- They have provably greater **representational power** than pattern databases for many common planning domains.

Automated
(AI) Planning

Abstractions:
informally

Abstractions:
formally

PDB
heuristics

Merge &
Shrink
Abstractions
PDB limitations

Main ideas

Running
example

Synchronized
products

Definition

Example

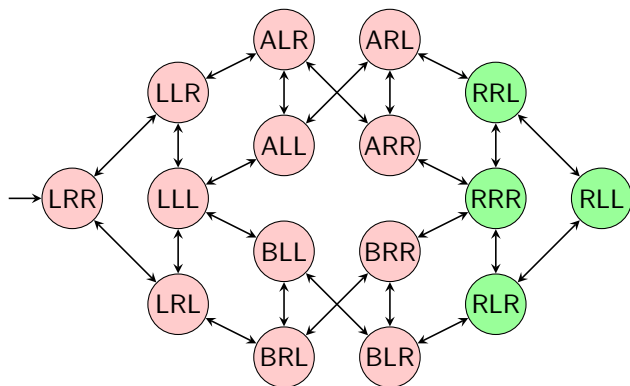
Properties

M&S
Algorithm

Additive
heuristics

Structural

Back to the running example



Logistics problem with one package, two trucks, two locations:

- state variable **package**: $\{L, R, A, B\}$
- state variable **truck A**: $\{L, R\}$
- state variable **truck B**: $\{L, R\}$

Automated
(AI) Planning

Abstractions:
informally

Abstractions:
formally

PDB
heuristics

Merge &
Shrink

Abstractions

PDB limitations

Main ideas

Running
example

Synchronized
products

Definition

Example

Properties

M&S

Algorithm

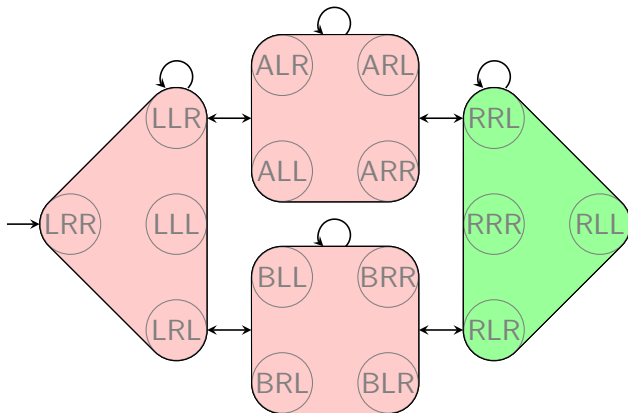
Additive

heuristics

Structural

Example: projection

Project to {package}:



Automated
(AI) Planning

Abstractions:
informally

Abstractions:
formally

PDB
heuristics

Merge &
Shrink

Abstractions

PDB limitations

Main ideas

Running
example

Synchronized
products

Definition

Example

Properties

M&S

Algorithm

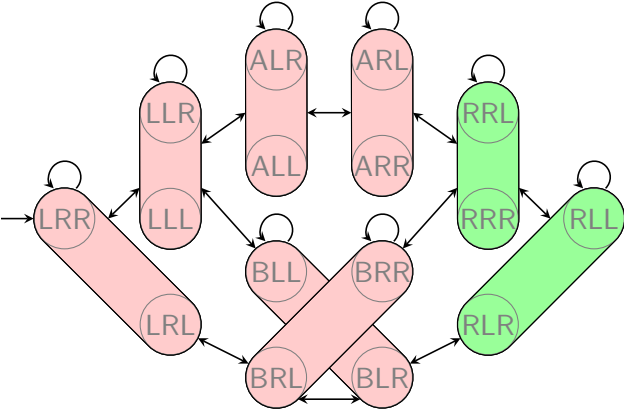
Additive

heuristics

Structural

Example: projection (2)

Project to {package, truck A}:



Automated
(AI) Planning

Abstractions:
informally

Abstractions:
formally

PDB
heuristics

Merge &
Shrink

Abstractions

PDB limitations

Main ideas

Running

example

Synchronized

products

Definition

Example

Properties

M&S

Algorithm

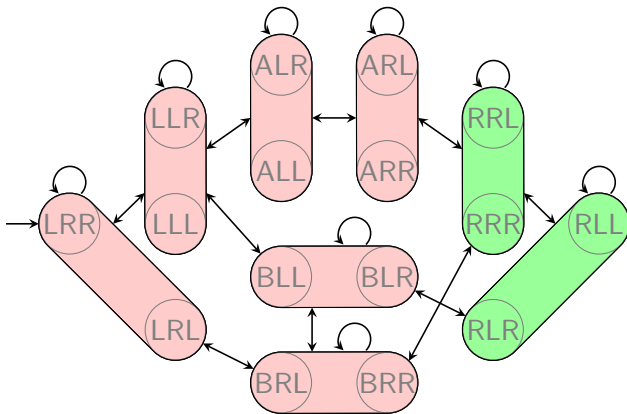
Additive

heuristics

Structural

Example: projection (2)

Project to {package, truck A}:



Automated
(AI) Planning

Abstractions:
informally

Abstractions:
formally

PDB
heuristics

Merge &
Shrink

Abstractions

PDB limitations

Main ideas

Running
example

Synchronized
products

Definition

Example

Properties

M&S
Algorithm

Additive
heuristics

Structural

Limitations of projections

How accurate is the PDB heuristic?

- consider **generalization of the example**:
 N trucks, M locations (fully connected), still one package
- consider **any** pattern that is proper subset of variable set V
- $h(s_0) \leq 2 \rightsquigarrow$ **no better** than atomic projection to **package**

These values cannot be improved by maximizing over several patterns or using additive patterns.

Merge-and-shrink abstractions can represent heuristics with $h(s_0) \geq 3$ for tasks of this kind of any size.

Time and space requirements are **polynomial in N and M** .

Automated
(AI) Planning

Abstractions:
informally

Abstractions:
formally

PDB
heuristics

Merge &
Shrink

Abstractions
PDB limitations

Main ideas

Running
example

Synchronized
products

Definition

Example

Properties

M&S
Algorithm

Additive
heuristics

Structural

Merge-and-shrink abstractions: main idea

Main idea of merge-and-shrink abstractions

(due to Dräger, Finkbeiner & Podelski, 2006):

Instead of **perfectly** reflecting **a few** state variables, reflect **all** state variables, but in a **potentially lossy** way.

Automated
(AI) Planning

Abstractions:
informally

Abstractions:
formally

PDB
heuristics

Merge &
Shrink
Abstractions

PDB limitations

Main ideas

Running
example

Synchronized
products

Definition

Example

Properties

M&S
Algorithm

Additive
heuristics

Structural

The need for succinct abstraction mappings

- One major difficulty for non-PDB abstractions is to **succinctly represent the abstraction mapping**.
- For pattern databases, this is easy because the abstraction mappings – projections – are very **structured**.
- For less rigidly structured abstraction mappings, we need another idea.

Automated
(AI) Planning

Abstractions:
informally

Abstractions:
formally

PDB
heuristics

Merge &
Shrink

Abstractions

PDB limitations

Main ideas

Running
example

Synchronized
products

Definition

Example

Properties

M&S
Algorithm

Additive
heuristics

Structural

Merge-and-shrink abstractions: idea

- The main idea underlying merge-and-shrink abstractions is that given two abstractions \mathcal{A} and \mathcal{A}' , we can **merge** them into a new **product abstraction**.
 - The product abstraction **captures all information** of both abstractions and can be **better informed than either**.
 - It can even be better informed than their **sum**.
- By merging a set of very simple abstractions, we can in theory represent **arbitrary** abstractions of an SAS⁺ task.
- In practice, due to memory limitations, such abstractions can become too large. In that case, we can **shrink** them by abstracting them further using **any abstraction** on an intermediate result, then **continue the merging process**.

Automated
(AI) Planning

Abstractions:
informally

Abstractions:
formally

PDB
heuristics

Merge &
Shrink
Abstractions

PDB limitations

Main ideas

Running
example

Synchronized
products
Definition

Example
Properties

M&S
Algorithm

Additive
heuristics

Structural

Running example: explanations

- **Atomic projections** – projections to a single state variable – play an important role in this chapter.
- Unlike previous chapters, **transition labels** are critically important in this chapter.
- Hence we now look at the transition systems for atomic projections of our example task, including transition labels.
- We abbreviate operator names as in these examples:
 - **MALR**: move truck **A** from left to right
 - **DAR**: drop package from truck **A** at right location
 - **PBL**: pick up package with truck **B** at left location
- We abbreviate parallel arcs with **commas** and **wildcards** (*****) in the labels as in these examples:
 - **PAL, DAL**: two parallel arcs labeled **PAL** and **DAL**
 - **MA****: two parallel arcs labeled **MALR** and **MARL**

Automated
(AI) Planning

Abstractions:
informally

Abstractions:
formally

PDB
heuristics

Merge &
Shrink
Abstractions

PDB limitations
Main ideas

Running
example

Synchronized
products

Definition
Example

Properties

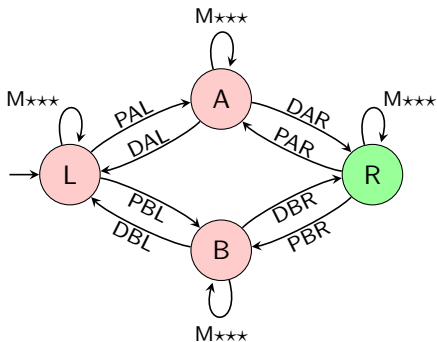
M&S
Algorithm

Additive
heuristics

Structural

Running example: atomic projection for package

$\mathcal{T}^{\pi}\{\text{package}\}$:



Automated
(AI) Planning

Abstractions:
informally

Abstractions:
formally

PDB
heuristics

Merge &
Shrink
Abstractions

PDB limitations

Main ideas

Running
example

Synchronized
products

Definition

Example

Properties

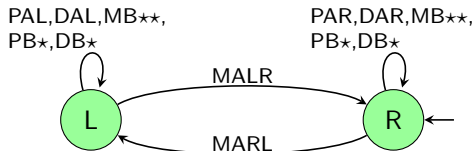
M&S
Algorithm

Additive
heuristics

Structural

Running example: atomic projection for truck A

$\mathcal{T}^\pi\{\text{truck A}\}$:



Automated
(AI) Planning

Abstractions:
informally

Abstractions:
formally

PDB
heuristics

Merge &
Shrink

Abstractions

PDB limitations

Main ideas

Running
example

Synchronized
products

Definition

Example

Properties

M&S

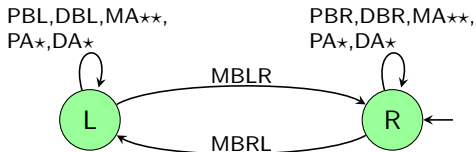
Algorithm

Additive
heuristics

Structural

Running example: atomic projection for truck B

$\mathcal{T}^\pi\{\text{truck B}\}$:



Automated
(AI) Planning

Abstractions:
informally

Abstractions:
formally

PDB
heuristics

Merge &
Shrink

Abstractions

PDB limitations

Main ideas

Running
example

Synchronized
products

Definition

Example

Properties

M&S

Algorithm

Additive
heuristics

Structural

Synchronized product of transition systems

Definition (synchronized product of transition systems)

For $i \in \{1, 2\}$, let $\mathcal{T}_i = \langle S_i, L, T_i, I_i, G_i \rangle$ be transition systems with identical label set.

The **synchronized product** of \mathcal{T}_1 and \mathcal{T}_2 , in symbols $\mathcal{T}_1 \otimes \mathcal{T}_2$, is the transition system $\mathcal{T}_\otimes = \langle S_\otimes, L, T_\otimes, I_\otimes, G_\otimes \rangle$ with

- $S_\otimes := S_1 \times S_2$
- $T_\otimes := \{ \langle \langle s_1, s_2 \rangle, l, \langle t_1, t_2 \rangle \rangle \mid \langle s_1, l, t_1 \rangle \in T_1 \text{ and } \langle s_2, l, t_2 \rangle \in T_2 \}$
- $I_\otimes := I_1 \times I_2$
- $G_\otimes := G_1 \times G_2$

Automated
(AI) Planning

Abstractions:
informally

Abstractions:
formally

PDB
heuristics

Merge &
Shrink

Abstractions

PDB limitations

Main ideas

Running

example

Synchronized

products

Definition

Example

Properties

M&S
Algorithm

Additive
heuristics

Structural

Synchronized product of functions

Definition (synchronized product of functions)

Let $\alpha_1 : S \rightarrow S_1$ and $\alpha_2 : S \rightarrow S_2$ be functions with identical domain.

The **synchronized product** of α_1 and α_2 , in symbols $\alpha_1 \otimes \alpha_2$, is the function $\alpha_\otimes : S \rightarrow S_1 \times S_2$ defined as

$$\alpha_\otimes(s) = \langle \alpha_1(s), \alpha_2(s) \rangle.$$

Automated
(AI) Planning

Abstractions:
informally

Abstractions:
formally

PDB
heuristics

Merge &
Shrink
Abstractions

PDB limitations

Main ideas

Running
example

Synchronized
products

Definition

Example

Properties

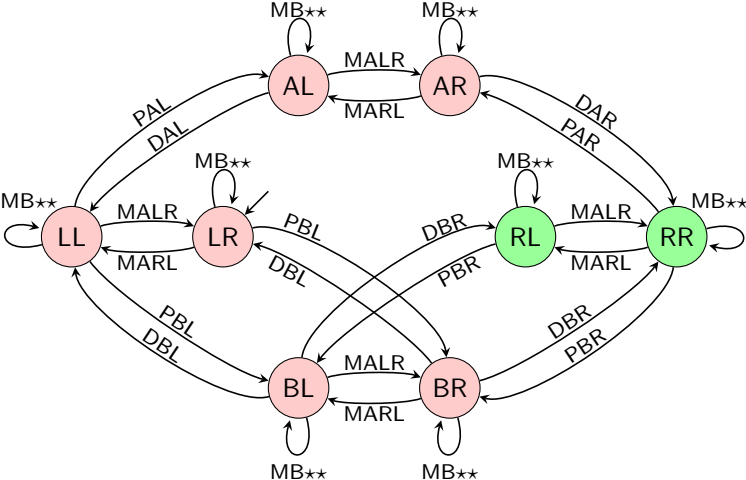
M&S
Algorithm

Additive
heuristics

Structural

Example: synchronized product

$$\mathcal{T}^\pi\{\text{package}\} \otimes \mathcal{T}^\pi\{\text{truck A}\} :$$



Automated (AI) Planning

Abstractions: informally

Abstractions: formally

PDB heuristics

Merge & Shrink

Abstractions

PDB limitations

Main ideas

Running example

Synchronized products

Definition

Example

Properties

M&S

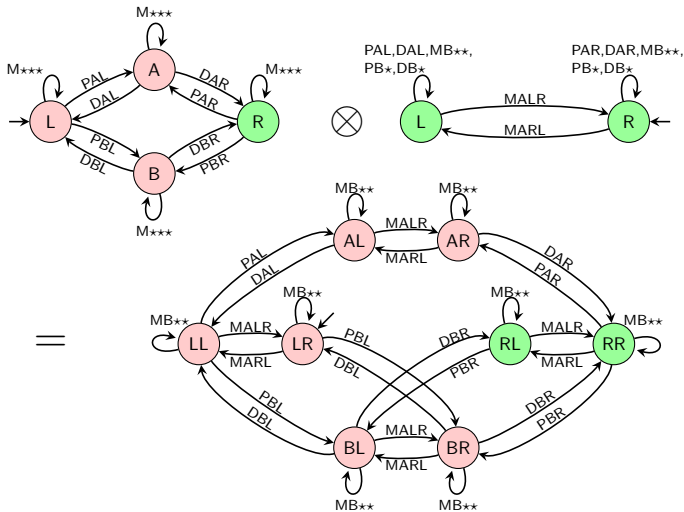
Algorithm

Additive heuristics

Structural

Example: computation of synchronized product

$$\mathcal{T}^\pi\{\text{package}\} \otimes \mathcal{T}^\pi\{\text{truck A}\} :$$



Automated
(AI) Planning

Abstractions:
informally

Abstractions:
formally

PDB
heuristics

Merge &
Shrink
Abstractions

PDB limitations

Main ideas

Running
example

Synchronized
products

Definition

Example

Properties

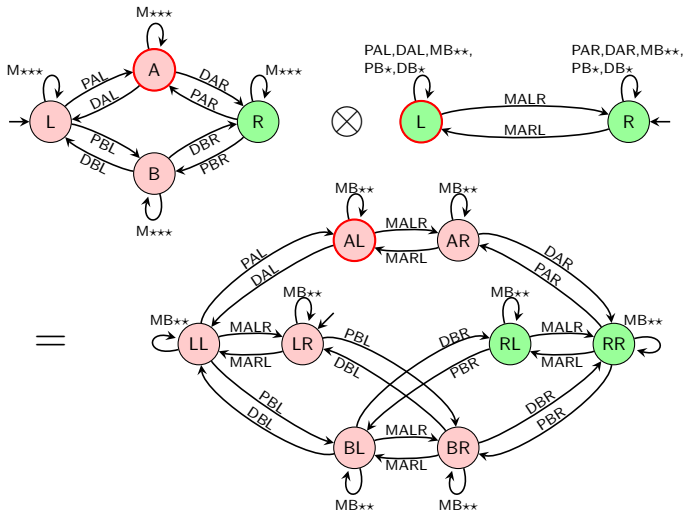
M&S
Algorithm

Additive
heuristics

Structural

Example: computation of synchronized product

$$\mathcal{T}^\pi\{\text{package}\} \otimes \mathcal{T}^\pi\{\text{truck A}\}: S_\otimes = S_1 \times S_2$$



Automated
(AI) Planning

Abstractions:
informally

Abstractions:
formally

PDB
heuristics

Merge &
Shrink
Abstractions

PDB limitations

Main ideas

Running
example

Synchronized
products

Definition

Example

Properties

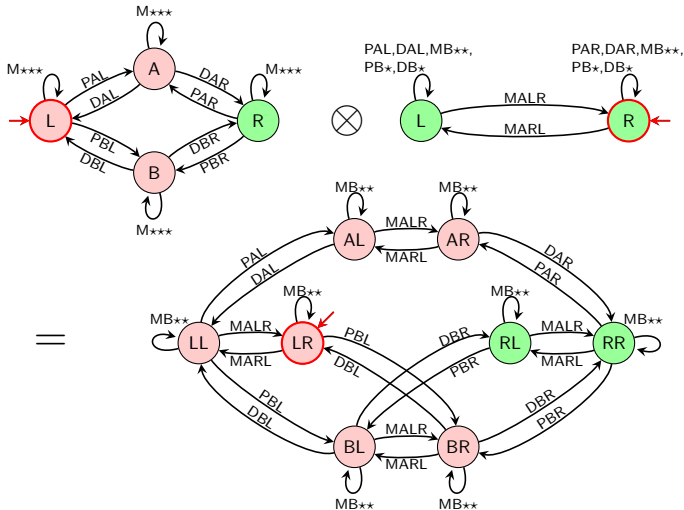
M&S
Algorithm

Additive
heuristics

Structural

Example: computation of synchronized product

$$\mathcal{T}^\pi\{\text{package}\} \otimes \mathcal{T}^\pi\{\text{truck A}\}: I_\otimes = I_1 \times I_2$$



Automated
(AI) Planning

Abstractions:
informally

Abstractions:
formally

PDB
heuristics

Merge &
Shrink

Abstractions

PDB limitations

Main ideas

Running
example

Synchronized
products

Definition

Example

Properties

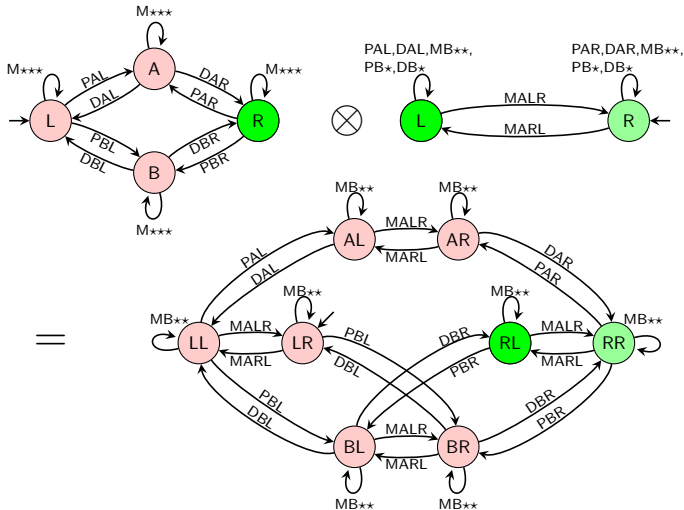
M&S
Algorithm

Additive
heuristics

Structural

Example: computation of synchronized product

$$\mathcal{T}^\pi\{\text{package}\} \otimes \mathcal{T}^\pi\{\text{truck A}\}: G_\otimes = G_1 \times G_2$$



Automated
(AI) Planning

Abstractions:
informally

Abstractions:
formally

PDB
heuristics

Merge &
Shrink
Abstractions

PDB limitations

Main ideas

Running
example

Synchronized
products

Definition

Example

Properties

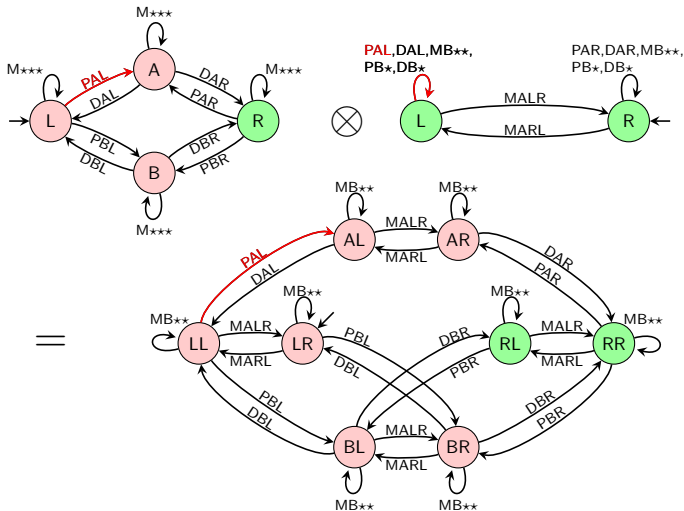
M&S
Algorithm

Additive
heuristics

Structural

Example: computation of synchronized product

$$\mathcal{T}^{\pi}\{\text{package}\} \otimes \mathcal{T}^{\pi}\{\text{truck A}\}: T_{\otimes} := \{ \langle \langle s_1, s_2 \rangle, l, \langle t_1, t_2 \rangle \rangle \mid \dots \}$$



Automated
(AI) Planning

Abstractions:
informally

Abstractions:
formally

PDB
heuristics

Merge &
Shrink
Abstractions

PDB limitations

Main ideas

Running
example

Synchronized
products

Definition

Example

Properties

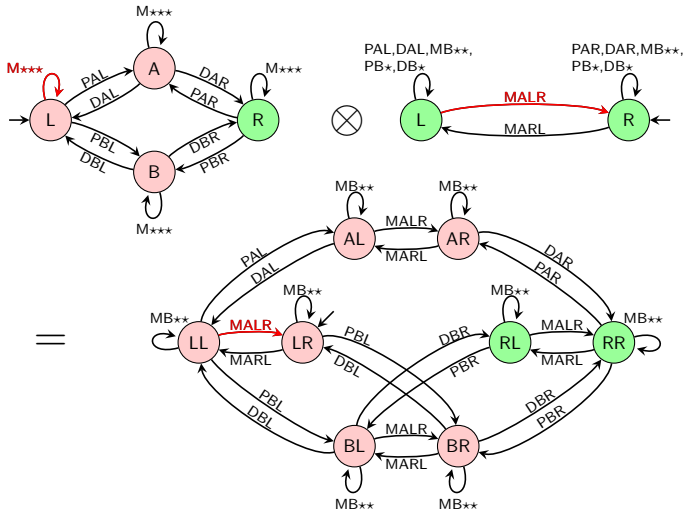
M&S
Algorithm

Additive
heuristics

Structural

Example: computation of synchronized product

$$\mathcal{T}^{\pi}\{\text{package}\} \otimes \mathcal{T}^{\pi}\{\text{truck A}\}: T_{\otimes} := \{ \langle \langle s_1, s_2 \rangle, l, \langle t_1, t_2 \rangle \rangle \mid \dots \}$$



Automated
(AI) Planning

Abstractions:
informally

Abstractions:
formally

PDB
heuristics

Merge &
Shrink
Abstractions

PDB limitations

Main ideas

Running
example

Synchronized
products

Definition

Example

Properties

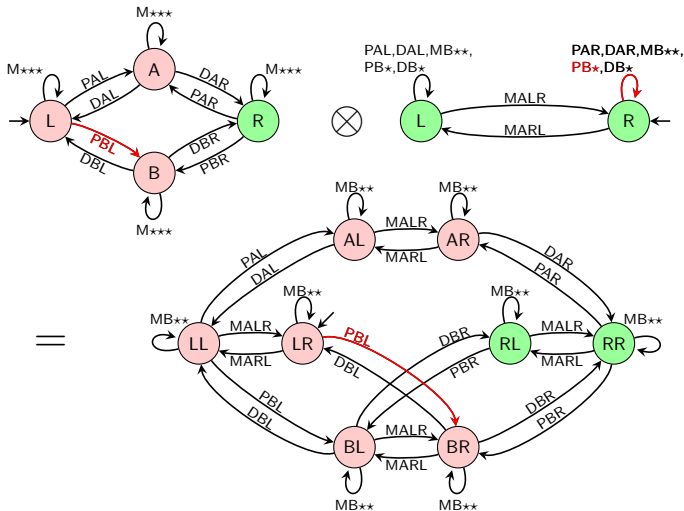
M&S
Algorithm

Additive
heuristics

Structural

Example: computation of synchronized product

$$\mathcal{T}^{\pi}\{\text{package}\} \otimes \mathcal{T}^{\pi}\{\text{truck A}\}: T_{\otimes} := \{ \langle \langle s_1, s_2 \rangle, l, \langle t_1, t_2 \rangle \rangle \mid \dots \}$$



Automated
(AI) Planning

Abstractions:
informally

Abstractions:
formally

PDB
heuristics

Merge &
Shrink
Abstractions

PDB limitations

Main ideas

Running
example

Synchronized
products

Definition

Example

Properties

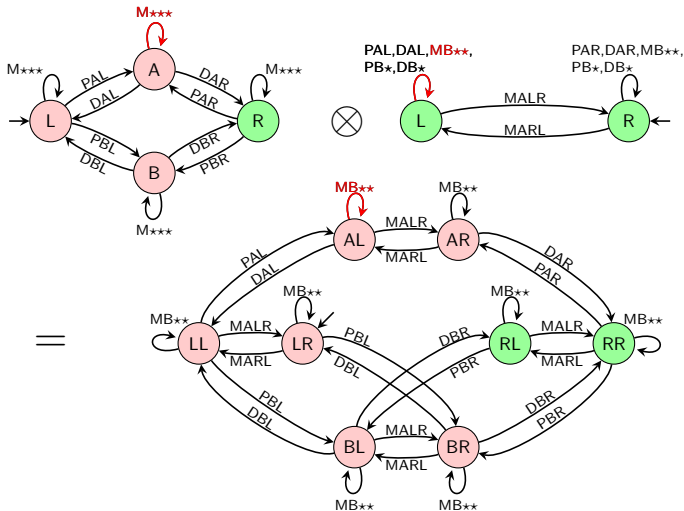
M&S
Algorithm

Additive
heuristics

Structural

Example: computation of synchronized product

$$\mathcal{T}^{\pi}\{\text{package}\} \otimes \mathcal{T}^{\pi}\{\text{truck A}\}: T_{\otimes} := \{ \langle \langle s_1, s_2 \rangle, l, \langle t_1, t_2 \rangle \rangle \mid \dots \}$$



Automated
(AI) Planning

Abstractions:
informally

Abstractions:
formally

PDB
heuristics

Merge &
Shrink
Abstractions

PDB limitations

Main ideas

Running
example

Synchronized
products

Definition

Example

Properties

M&S
Algorithm

Additive
heuristics

Structural

Synchronized products are abstractions

Theorem (synchronized products are abstractions)

For $i \in \{1, 2\}$, let \mathcal{T}_i be an abstraction of transition system \mathcal{T} with abstraction mapping α_i .

Then $\mathcal{T}_\otimes := \mathcal{T}_1 \otimes \mathcal{T}_2$ is an abstraction of \mathcal{T} with abstraction mapping $\alpha_\otimes := \alpha_1 \otimes \alpha_2$, and $\langle \mathcal{T}_\otimes, \alpha_\otimes \rangle$ is a refinement of $\langle \mathcal{T}_1, \alpha_1 \rangle$ and of $\langle \mathcal{T}_2, \alpha_2 \rangle$.

Automated
(AI) Planning

Abstractions:
informally

Abstractions:
formally

PDB
heuristics

Merge &
Shrink
Abstractions

PDB limitations

Main ideas

Running
example

Synchronized
products

Definition

Example

Properties

M&S
Algorithm

Additive
heuristics

Structural

Synchronized products of projections

Corollary (Synchronized products of projections)

Let Π be an SAS⁺ planning task with variable set V , and let V_1 and V_2 be disjoint subsets of V .

Then $\mathcal{T}^{\pi_{V_1}} \otimes \mathcal{T}^{\pi_{V_2}} = \mathcal{T}^{\pi_{V_1 \cup V_2}}$.

Automated
(AI) Planning

Abstractions:
informally

Abstractions:
formally

PDB
heuristics

Merge &
Shrink

Abstractions

PDB limitations

Main ideas

Running
example

Synchronized
products

Definition

Example

Properties

M&S
Algorithm

Additive
heuristics

Structural

Recovering $\mathcal{T}(\Pi)$ from the atomic projections

- By repeated application of the corollary, we can recover **all pattern database abstractions** of an SAS⁺ planning task from the abstractions for atomic projections.
- In particular, by computing the product of **all** atomic projections, we can recover the abstraction for the **identity abstraction** $\text{id} = \pi_V$.

Corollary (Recovering $\mathcal{T}(\Pi)$ from the atomic projections)

Let Π be an SAS⁺ planning task with variable set V .

Then $\mathcal{T}(\Pi) = \bigotimes_{v \in V} \mathcal{T}^{\pi_{\{v\}}}$.

- This is an important result because it shows that the abstractions for atomic projections **contain all information** of an SAS⁺ task.

Automated
(AI) Planning

Abstractions:
informally

Abstractions:
formally

PDB
heuristics

Merge &
Shrink

Abstractions
PDB limitations

Main ideas
Running
example

Synchronized
products

Definition
Example

Properties

M&S
Algorithm

Additive
heuristics

Structural

Generic merge-and-shrink abstractions: outline

Using the results from the previous section, we can develop the ideas of a **generic abstraction computation procedure** that **takes all state variables into account**:

- **Initialization step**: Compute all abstract transition systems for atomic projections to form the initial abstraction collection.
- **Merge steps**: Combine two abstractions in the collection by replacing them with their synchronized product. (Stop once only one abstraction is left.)
- **Shrink steps**: If the abstractions in the collection are too large to compute their synchronized product, make them smaller by abstracting them further (applying an arbitrary homomorphism to them).

We explain these steps with our running example.

Automated
(AI) Planning

Abstractions:
informally

Abstractions:
formally

PDB
heuristics

Merge &
Shrink
Abstractions

M&S
Algorithm
Merge steps and
shrink steps
Abstraction
mapping
Concrete
algorithm

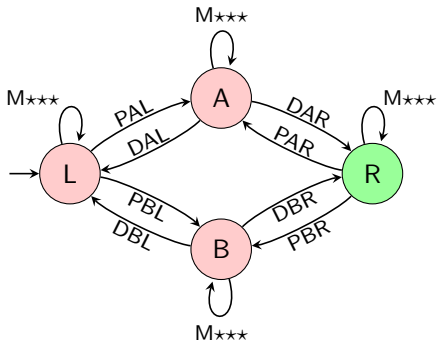
Additive
heuristics

Structural
Patterns

Performance

Initialization step: atomic projection for package

$\mathcal{T}^{\pi}\{\text{package}\}$:



Automated
(AI) Planning

Abstractions:
informally

Abstractions:
formally

PDB
heuristics

Merge &
Shrink
Abstractions

M&S
Algorithm

Merge steps and
shrink steps
Abstraction
mapping
Concrete
algorithm

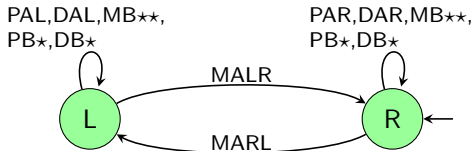
Additive
heuristics

Structural
Patterns

Performance

Initialization step: atomic projection for truck A

$\mathcal{T}^\pi\{\text{truck A}\}$:



Automated
(AI) Planning

Abstractions:
informally

Abstractions:
formally

PDB
heuristics

Merge &
Shrink
Abstractions

M&S
Algorithm

Merge steps and
shrink steps
Abstraction
mapping
Concrete
algorithm

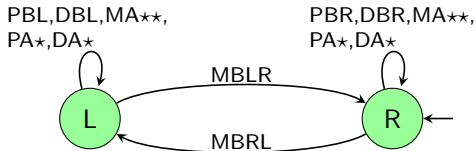
Additive
heuristics

Structural
Patterns

Performance

Initialization step: atomic projection for truck B

$\mathcal{T}^\pi\{\text{truck B}\}$:



current collection: $\{\mathcal{T}^\pi\{\text{package}\}, \mathcal{T}^\pi\{\text{truck A}\}, \mathcal{T}^\pi\{\text{truck B}\}\}$

Automated
(AI) Planning

Abstractions:
informally

Abstractions:
formally

PDB
heuristics

Merge &
Shrink
Abstractions

M&S
Algorithm

Merge steps and
shrink steps
Abstraction
mapping
Concrete
algorithm

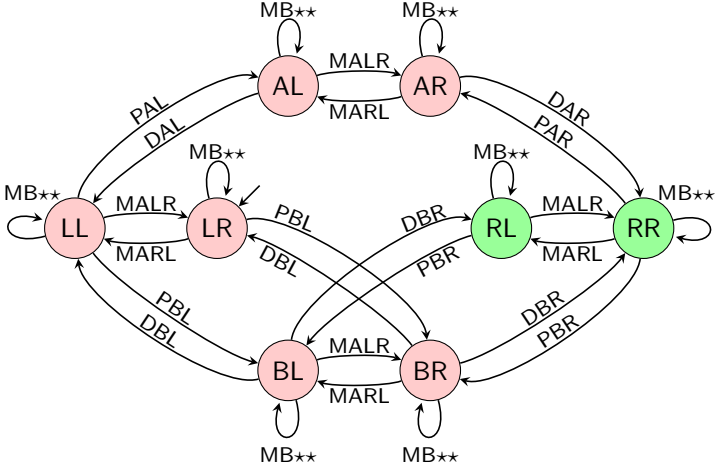
Additive
heuristics

Structural
Patterns

Performance

First merge step

$$\mathcal{T}_1 := \mathcal{T}^{\pi_{\{\text{package}\}}} \otimes \mathcal{T}^{\pi_{\{\text{truck A}\}}}$$



current collection: $\{\mathcal{T}_1, \mathcal{T}^{\pi_{\{\text{truck B}\}}}\}$

Automated (AI) Planning

Abstractions: informally

Abstractions: formally

PDB heuristics

Merge & Shrink Abstractions

M&S Algorithm

Merge steps and shrink steps
Abstraction mapping
Concrete algorithm

Additive heuristics

Structural Patterns

Performance

Need to simplify?

- If we have sufficient memory available, we can now compute $\mathcal{T}_1 \otimes \mathcal{T}^{\pi_{\{\text{truck B}\}}}$, which would recover the complete transition system of the task.
- However, to illustrate the general idea, let us assume that we do not have sufficient memory for this product.
- More specifically, we will assume that after each product operation we need to reduce the result abstraction to **four states** to obey memory constraints.
- So we need to reduce \mathcal{T}_1 to four states. We have a lot of leeway in deciding **how exactly** to abstract \mathcal{T}_1 .
- In this example, we simply use an abstraction that leads to a good result in the end.

Automated
(AI) Planning

Abstractions:
informally

Abstractions:
formally

PDB
heuristics

Merge &
Shrink
Abstractions

M&S
Algorithm

Merge steps and
shrink steps
Abstraction
mapping
Concrete
algorithm

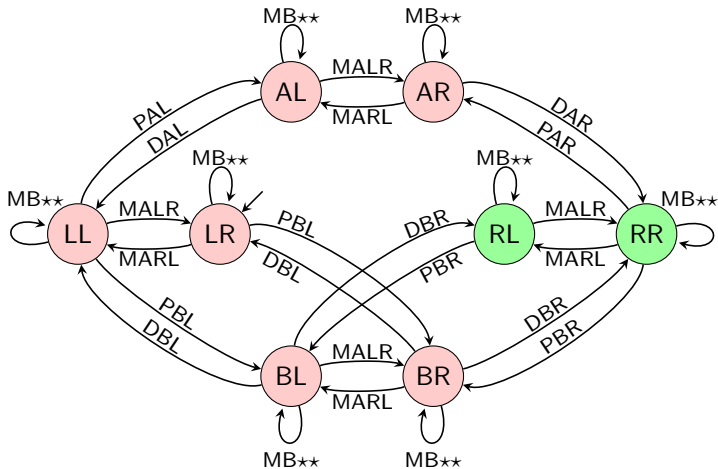
Additive
heuristics

Structural
Patterns

Performance

First shrink step

$\mathcal{T}_2 := \text{some abstraction of } \mathcal{T}_1$



Automated
(AI) Planning

Abstractions:
informally

Abstractions:
formally

PDB
heuristics

Merge &
Shrink
Abstractions

M&S
Algorithm

Merge steps and
shrink steps
Abstraction
mapping
Concrete
algorithm

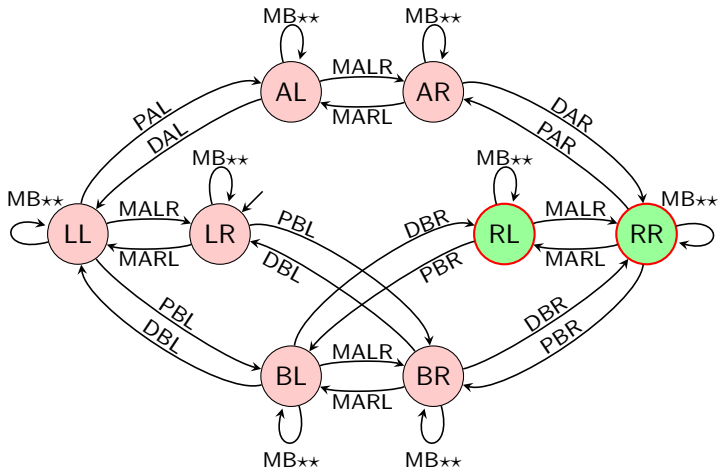
Additive
heuristics

Structural
Patterns

Performance

First shrink step

$\mathcal{T}_2 := \text{some abstraction of } \mathcal{T}_1$



Automated
(AI) Planning

Abstractions:
informally

Abstractions:
formally

PDB
heuristics

Merge &
Shrink
Abstractions

M&S
Algorithm

Merge steps and
shrink steps
Abstraction
mapping
Concrete
algorithm

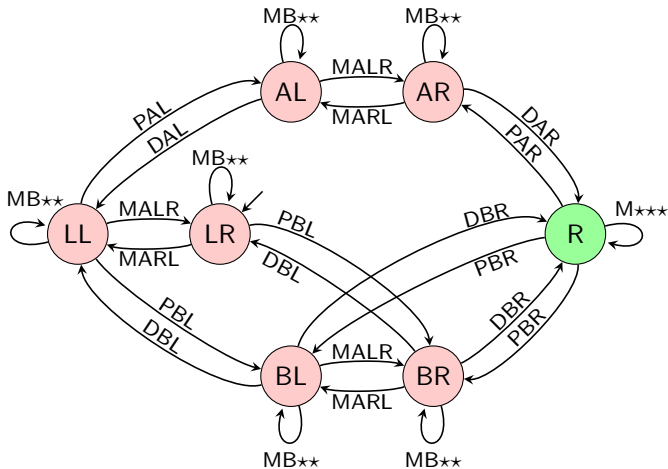
Additive
heuristics

Structural
Patterns

Performance

First shrink step

$\mathcal{T}_2 := \text{some abstraction of } \mathcal{T}_1$



Automated
(AI) Planning

Abstractions:
informally

Abstractions:
formally

PDB
heuristics

Merge &
Shrink
Abstractions

M&S
Algorithm

Merge steps and
shrink steps
Abstraction
mapping
Concrete
algorithm

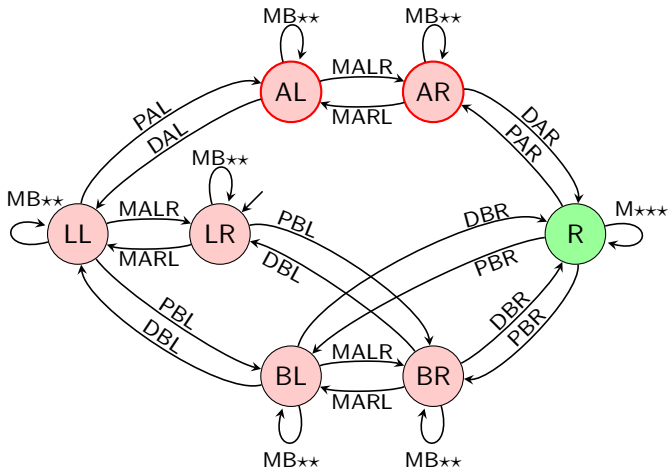
Additive
heuristics

Structural
Patterns

Performance

First shrink step

$\mathcal{T}_2 := \text{some abstraction of } \mathcal{T}_1$



Automated
(AI) Planning

Abstractions:
informally

Abstractions:
formally

PDB
heuristics

Merge &
Shrink
Abstractions

M&S
Algorithm

Merge steps and
shrink steps
Abstraction
mapping
Concrete
algorithm

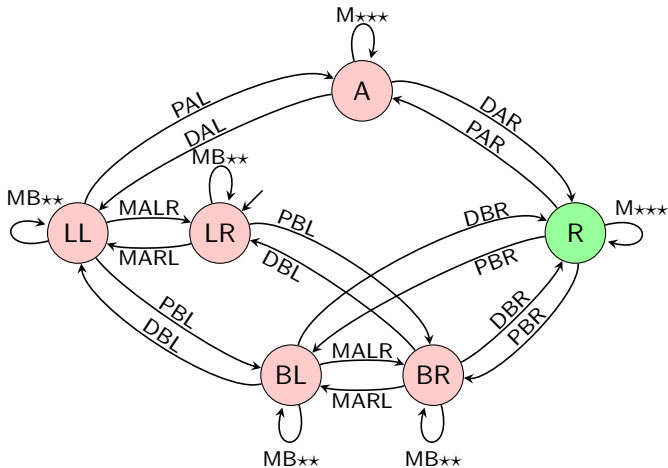
Additive
heuristics

Structural
Patterns

Performance

First shrink step

$\mathcal{T}_2 := \text{some abstraction of } \mathcal{T}_1$



Automated
(AI) Planning

Abstractions:
informally

Abstractions:
formally

PDB
heuristics

Merge &
Shrink
Abstractions

M&S
Algorithm

Merge steps and
shrink steps
Abstraction
mapping
Concrete
algorithm

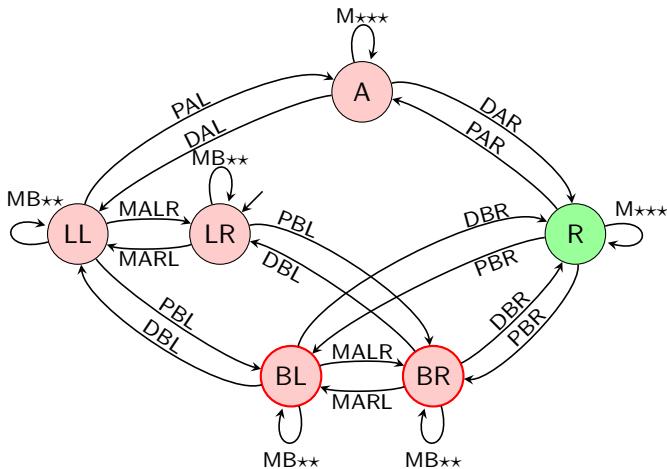
Additive
heuristics

Structural
Patterns

Performance

First shrink step

$\mathcal{T}_2 := \text{some abstraction of } \mathcal{T}_1$



Automated
(AI) Planning

Abstractions:
informally

Abstractions:
formally

PDB
heuristics

Merge &
Shrink
Abstractions

M&S
Algorithm

Merge steps and
shrink steps
Abstraction
mapping
Concrete
algorithm

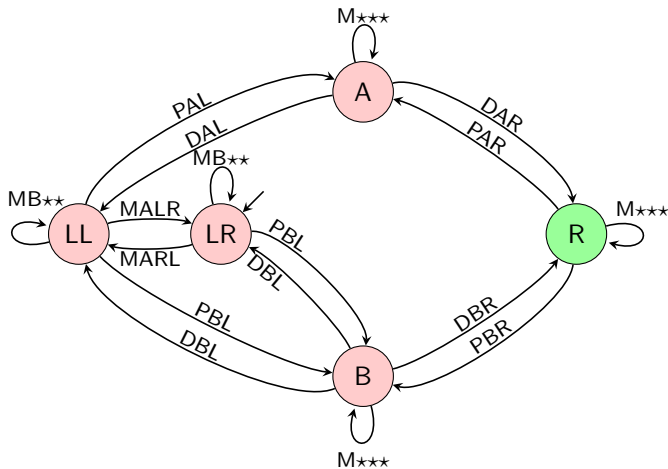
Additive
heuristics

Structural
Patterns

Performance

First shrink step

$\mathcal{T}_2 := \text{some abstraction of } \mathcal{T}_1$



Automated
(AI) Planning

Abstractions:
informally

Abstractions:
formally

PDB
heuristics

Merge &
Shrink
Abstractions

M&S
Algorithm

Merge steps and
shrink steps
Abstraction
mapping
Concrete
algorithm

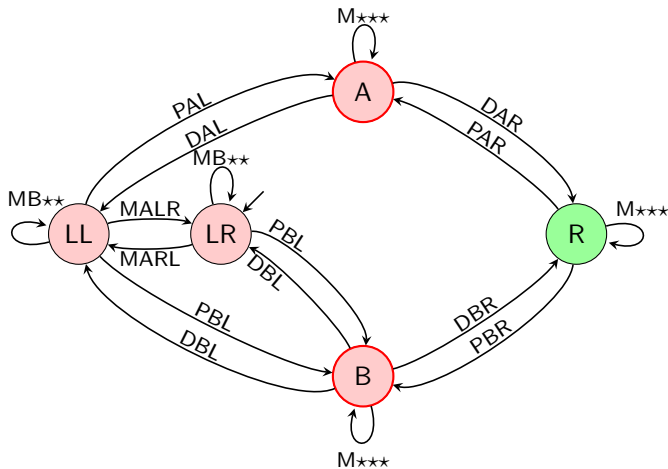
Additive
heuristics

Structural
Patterns

Performance

First shrink step

$\mathcal{T}_2 := \text{some abstraction of } \mathcal{T}_1$



Automated
(AI) Planning

Abstractions:
informally

Abstractions:
formally

PDB
heuristics

Merge &
Shrink
Abstractions

M&S
Algorithm

Merge steps and
shrink steps
Abstraction
mapping
Concrete
algorithm

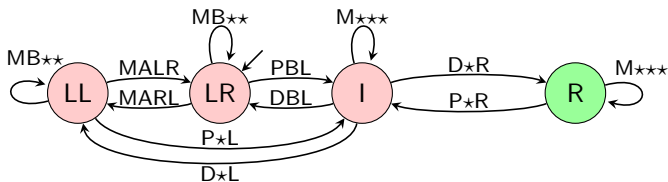
Additive
heuristics

Structural
Patterns

Performance

First shrink step

$\mathcal{T}_2 := \text{some abstraction of } \mathcal{T}_1$



Automated
(AI) Planning

Abstractions:
informally

Abstractions:
formally

PDB
heuristics

Merge &
Shrink
Abstractions

M&S
Algorithm

Merge steps and
shrink steps
Abstraction
mapping
Concrete
algorithm

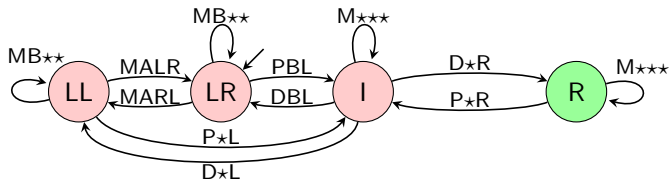
Additive
heuristics

Structural
Patterns

Performance

First shrink step

$\mathcal{T}_2 := \text{some abstraction of } \mathcal{T}_1$



current collection: $\{\mathcal{T}_2, \mathcal{T}^{\pi\{\text{truck B}\}}\}$

Automated
(AI) Planning

Abstractions:
informally

Abstractions:
formally

PDB
heuristics

Merge &
Shrink
Abstractions

M&S
Algorithm

Merge steps and
shrink steps
Abstraction
mapping
Concrete
algorithm

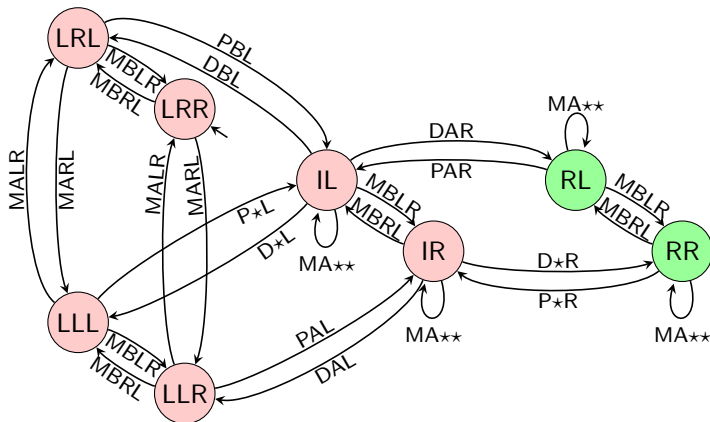
Additive
heuristics

Structural
Patterns

Performance

Second merge step

$$\mathcal{T}_3 := \mathcal{T}_2 \otimes \mathcal{T}^{\pi\{\text{truck B}\}}:$$



current collection: $\{\mathcal{T}_3\}$

Automated
(AI) Planning

Abstractions:
informally

Abstractions:
formally

PDB
heuristics

Merge &
Shrink
Abstractions

M&S
Algorithm

Merge steps and
shrink steps
Abstraction
mapping
Concrete
algorithm

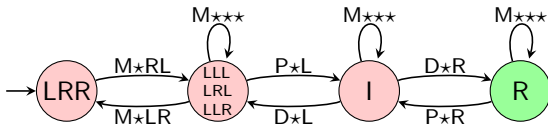
Additive
heuristics

Structural
Patterns

Performance

Another shrink step?

- Normally we could stop now and use the distances in the final abstraction as our heuristic function.
- However, if there were further state variables to integrate, we would simplify further, e. g. leading to the following abstraction (again with four states):



- We get a heuristic value of 3 for the initial state, **better than any PDB heuristic** that is a proper abstraction.
- The example generalizes to more locations and trucks, even if we stick to the size limit of 4 (after merging).

Automated
(AI) Planning

Abstractions:
informally

Abstractions:
formally

PDB
heuristics

Merge &
Shrink
Abstractions

M&S
Algorithm

Merge steps and
shrink steps
Abstraction
mapping
Concrete
algorithm

Additive
heuristics

Structural
Patterns

Performance

How to represent the abstraction mapping?

Idea: the computation of the abstraction mapping follows the sequence of product computations

- For the **atomic abstractions** for $\pi_{\{v\}}$, we generate a **one-dimensional table** that denotes which value in \mathcal{D}_v corresponds to which abstract state.
- During the **merge** (product) step $\mathcal{A} := \mathcal{A}_1 \otimes \mathcal{A}_2$, we generate a **two-dimensional table** that denotes which pair of states of \mathcal{A}_1 and \mathcal{A}_2 corresponds to which state of \mathcal{A} .
- During the **shrink** (abstraction) steps, we make sure that the simplified table stays in sync with each individual merge step.

Automated
(AI) Planning

Abstractions:
informally

Abstractions:
formally

PDB
heuristics

Merge &
Shrink
Abstractions

M&S
Algorithm

Merge steps and
shrink steps
Abstraction
mapping
Concrete
algorithm

Additive
heuristics

Structural
Patterns

Performance

How to represent the abstraction mapping? (ctd.)

Idea: the computation of the abstraction mapping follows the sequence of product computations

- Once we have computed the final abstraction, we compute all **abstract goal distances** and store them in a **one-dimensional table**.
- At this point, we can **throw away** all the abstractions – we just need to keep the tables.
- During **search**, we do a sequence of table lookups to navigate from the atomic abstraction states to the final abstraction state and heuristic value
 $\leadsto 2|V|$ lookups, $O(|V|)$ time

Again, we illustrate the process with our running example.

Automated
(AI) Planning

Abstractions:
informally

Abstractions:
formally

PDB
heuristics

Merge &
Shrink
Abstractions

M&S
Algorithm
Merge steps and
shrink steps
Abstraction
mapping
Concrete
algorithm

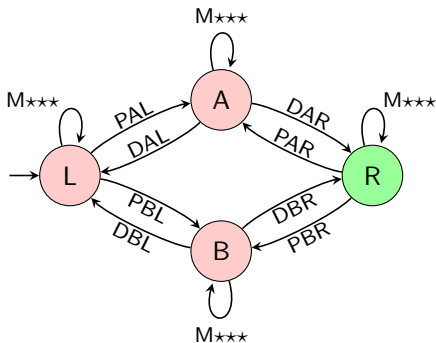
Additive
heuristics

Structural
Patterns

Performance

Abstraction mapping example: atomic abstractions

Computing abstraction mappings for the atomic abstractions is simple. Just number the states (domain values) consecutively and generate a table of references to the states:



Automated
(AI) Planning

Abstractions:
informally

Abstractions:
formally

PDB
heuristics

Merge &
Shrink
Abstractions

M&S
Algorithm
Merge steps and
shrink steps
Abstraction
mapping
Concrete
algorithm

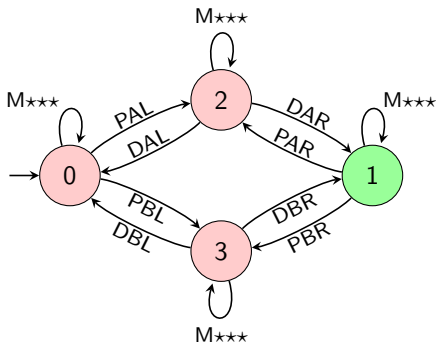
Additive
heuristics

Structural
Patterns

Performance

Abstraction mapping example: atomic abstractions

Computing abstraction mappings for the atomic abstractions is simple. Just number the states (domain values) consecutively and generate a table of references to the states:



L	R	A	B
0	1	2	3

Automated
(AI) Planning

Abstractions:
informally

Abstractions:
formally

PDB
heuristics

Merge &
Shrink
Abstractions

M&S
Algorithm
Merge steps and
shrink steps
Abstraction
mapping
Concrete
algorithm

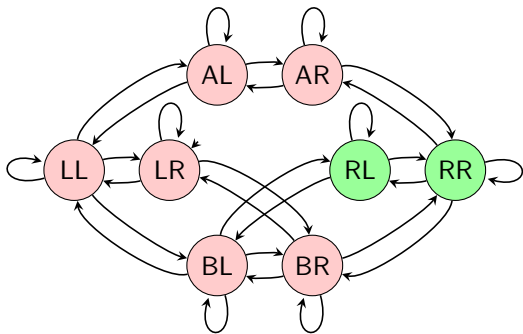
Additive
heuristics

Structural
Patterns

Performance

Abstraction mapping example: merge step

For product abstractions $\mathcal{A}_1 \otimes \mathcal{A}_2$, we again number the product states consecutively and generate a table that links state pairs of \mathcal{A}_1 and to states of \mathcal{A} :



Automated
(AI) Planning

Abstractions:
informally

Abstractions:
formally

PDB
heuristics

Merge &
Shrink
Abstractions

M&S
Algorithm

Merge steps and
shrink steps
Abstraction
mapping
Concrete
algorithm

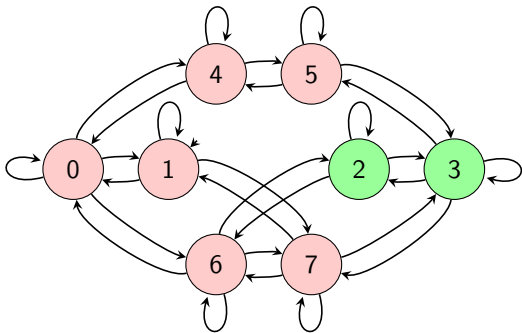
Additive
heuristics

Structural
Patterns

Performance

Abstraction mapping example: merge step

For product abstractions $\mathcal{A}_1 \otimes \mathcal{A}_2$, we again number the product states consecutively and generate a table that links state pairs of \mathcal{A}_1 and \mathcal{A}_2 to states of \mathcal{A} :



	$s_2 = 0$	$s_2 = 1$
$s_1 = 0$	0	1
$s_1 = 1$	2	3
$s_1 = 2$	4	5
$s_1 = 3$	6	7

Automated
(AI) Planning

Abstractions:
informally

Abstractions:
formally

PDB
heuristics

Merge &
Shrink
Abstractions

M&S
Algorithm

Merge steps and
shrink steps
Abstraction
mapping
Concrete
algorithm

Additive
heuristics

Structural
Patterns

Performance

Maintaining the mapping when shrinking

- The hard part in representing the abstraction mapping is to keep it consistent when shrinking.
- In theory, this is easy to do:
 - When combining states i and j , arbitrarily use one of them (say i) as the number of the new state.
 - Find all table entries in the table for this abstraction which map to the other state j and change them to i .
- However, doing a table scan each time two states are combined is very inefficient.
- Fortunately, there also is an efficient implementation which takes constant time per combination.

Automated
(AI) Planning

Abstractions:
informally

Abstractions:
formally

PDB
heuristics

Merge &
Shrink
Abstractions

M&S
Algorithm

Merge steps and
shrink steps

Abstraction
mapping
Concrete
algorithm

Additive
heuristics

Structural
Patterns

Performance

Towards a concrete algorithm

- We have now described how merge-and-shrink abstractions work **in general**.
- However, we have not said how exactly to decide
 - **which abstractions to combine** in a merge step and
 - **when and how to further abstract** in a shrink step.
- There are **many possibilities here** (just like there are many possible PDB heuristics).
- Only **one** concrete method, called h_{HHH} , has been explored so far in planning, which we will now discuss briefly.

Automated
(AI) Planning

Abstractions:
informally

Abstractions:
formally

PDB
heuristics

Merge &
Shrink
Abstractions

M&S
Algorithm

Merge steps and
shrink steps
Abstraction
mapping
Concrete
algorithm

Additive
heuristics

Structural
Patterns

Performance

Generic algorithm template

Generic abstraction computation algorithm

$abs := \{T^\pi\{v\} \mid v \in V\}$

while abs contains more than one abstraction:

select $\mathcal{A}_1, \mathcal{A}_2$ from abs

shrink \mathcal{A}_1 and/or \mathcal{A}_2 until $size(\mathcal{A}_1) \cdot size(\mathcal{A}_2) \leq N$

$abs := abs \setminus \{\mathcal{A}_1, \mathcal{A}_2\} \cup \{\mathcal{A}_1 \otimes \mathcal{A}_2\}$

return the remaining abstraction in abs

N : parameter bounding number of abstract states

Questions for practical implementation:

- Which abstractions to select? \rightsquigarrow **merging strategy**
- How to shrink an abstraction? \rightsquigarrow **shrinking strategy**
- How to choose N ? \rightsquigarrow usually: as high as memory allows

Automated
(AI) Planning

Abstractions:
informally

Abstractions:
formally

PDB
heuristics

Merge &
Shrink
Abstractions

M&S
Algorithm

Merge steps and
shrink steps
Abstraction
mapping
Concrete
algorithm

Additive
heuristics

Structural
Patterns

Performance

Merging strategy

Which abstractions to select?

h_{HHH} : Linear merging strategy

In each iteration after the first, choose the abstraction computed in the previous iteration as \mathcal{A}_1 .

\leadsto fully defined by an ordering of atomic projections

Rationale: only maintains one “complex” abstraction at a time

h_{HHH} : Ordering of atomic projections

- Start with a goal variable.
- Add variables that appear in preconditions of operators affecting previous variables.
- If that is not possible, add a goal variable.

Rationale: increases h quickly

Automated
(AI) Planning

Abstractions:
informally

Abstractions:
formally

PDB
heuristics

Merge &
Shrink
Abstractions

M&S
Algorithm
Merge steps and
shrink steps
Abstraction
mapping
Concrete
algorithm

Additive
heuristics

Structural
Patterns

Performance

Shrinking strategy

Which abstractions to shrink?

h_{HHH} : only shrink the product

If at all possible, don't shrink atomic abstractions, but only product abstractions.

Rationale: Product abstractions are more likely to contain significant redundancies and symmetries.

Automated
(AI) Planning

Abstractions:
informally

Abstractions:
formally

PDB
heuristics

Merge &
Shrink
Abstractions

M&S
Algorithm

Merge steps and
shrink steps
Abstraction
mapping
Concrete
algorithm

Additive
heuristics

Structural
Patterns

Performance

Shrinking strategy (ctd.)

How to shrink an abstraction?

h_{HHH} : f -preserving shrinking strategy

Repeatedly combine abstract states with **identical** abstract goal distances (h values) and **identical** abstract initial state distances (g values).

Rationale: preserves heuristic value and overall graph shape

h_{HHH} : Tie-breaking criterion

Prefer combining states where $g + h$ is high.
In case of ties, combine states where h is high.

Rationale: states with high $g + h$ values are less likely to be explored by A^* , so inaccuracies there matter less

Automated
(AI) Planning

Abstractions:
informally

Abstractions:
formally

PDB
heuristics

Merge &
Shrink
Abstractions

M&S
Algorithm

Merge steps and
shrink steps
Abstraction
mapping
Concrete
algorithm

Additive
heuristics

Structural
Patterns

Performance

Outline

- 1 Abstractions informally
- 2 Abstractions formally
- 3 Projection abstractions (PDBs)
- 4 Merge-and-shrink abstractions
- 5 **Generalized additive heuristics**
- 6 Structural-pattern abstractions

Automated
(AI) Planning

Abstractions:
informally

Abstractions:
formally

PDB
heuristics

Merge &
Shrink
Abstractions

M&S
Algorithm
Merge steps and
shrink steps
Abstraction
mapping
Concrete
algorithm

Additive
heuristics

Structural
Patterns

Performance

Transition systems of SAS⁺ planning tasks

Extension

Definition (transition system of an SAS⁺ planning task)

Let $\Pi = \langle V, I, O, G \rangle$ be an SAS⁺ planning task.

The **transition system of Π** , in symbols $\mathcal{T}(\Pi)$, is the transition system $\mathcal{T}(\Pi) = \langle S, L, T, I, G \rangle$, where

- S is the set of states over V ,
- $L = O$,
- $T = \{ \langle s, o, t \rangle \in S \times L \times S \mid \text{app}_o(s) = t \}$,
- $I = I$, and
- $G = \{ s \in S \mid s \models G \}$.

Automated
(AI) Planning

Abstractions:
informally

Abstractions:
formally

PDB
heuristics

Merge &
Shrink
Abstractions

M&S
Algorithm

Additive
heuristics

Orthogonal
action counting
Action cost
partitioning
Additive
Abstractions

Structural
Patterns

Performance

Transition systems of SAS⁺ planning tasks

Extension

Definition (transition system of an SAS⁺ planning task)

Let $\Pi = \langle V, I, O, G, \text{cost} \rangle$ be an SAS⁺ planning task with $\text{cost} : O \rightarrow \mathbb{R}^{0+} \cup \{\infty\}$.

The **transition system of Π** , in symbols $\mathcal{T}(\Pi)$, is the transition system $\mathcal{T}(\Pi) = \langle S, L, T, I, G \rangle$, where

- S is the set of states over V ,
- $L = O$,
- $T = \{ \langle s, o, t \rangle \in S \times L \times S \mid \text{app}_o(s) = t \}$,
- $I = I$, and
- $G = \{ s \in S \mid s \models G \}$.

In short: labels of $\mathcal{T}(\Pi)$ are getting annotated with operator costs in Π .

Automated
(AI) Planning

Abstractions:
informally

Abstractions:
formally

PDB
heuristics

Merge &
Shrink
Abstractions

M&S
Algorithm

Additive
heuristics

Orthogonal
action counting
Action cost
partitioning
Additive
Abstractions

Structural
Patterns

Performance

Orthogonality of abstraction mappings

Reminder

Definition (orthogonal abstraction mappings)

Let α_1 and α_2 be abstraction mappings on \mathcal{T} .

We say that α_1 and α_2 are **orthogonal** if for all transitions $\langle s, l, t \rangle$ of \mathcal{T} , we have $\alpha_i(s) = \alpha_i(t)$ for at least one $i \in \{1, 2\}$.

What if α_1 and α_2 are **non-orthogonal**?

Definition (orthogonal action counting)

Let $\Pi = \langle V, I, O, G, cost \rangle$ be an SAS⁺ planning task, and \mathcal{T}_1 and \mathcal{T}_2 be two abstractions of $\mathcal{T}(\Pi)$.

We say that **action counting** in \mathcal{T}_1 and \mathcal{T}_2 is **orthogonal** if for all operators $o \in O$, we have $cost_i(o) = 0$ for at least one $i \in \{1, 2\}$.

Automated
(AI) Planning

Abstractions:
informally

Abstractions:
formally

PDB
heuristics

Merge &
Shrink
Abstractions

M&S
Algorithm

Additive
heuristics

Orthogonal
action counting
Action cost
partitioning
Additive
Abstractions

Structural
Patterns

Performance

Orthogonality of action counting

Definition (orthogonal abstraction mappings)

Let α_1 and α_2 be abstraction mappings on \mathcal{T} .

We say that α_1 and α_2 are **orthogonal** if for all transitions $\langle s, l, t \rangle$ of \mathcal{T} , we have $\alpha_i(s) = \alpha_i(t)$ for at least one $i \in \{1, 2\}$.

What if α_1 and α_2 are **non-orthogonal**?

Definition (orthogonal action counting)

Let $\Pi = \langle V, I, O, G, cost \rangle$ be an SAS⁺ planning task, and \mathcal{T}_1 and \mathcal{T}_2 be two abstractions of $\mathcal{T}(\Pi)$.

We say that **action counting** in \mathcal{T}_1 and \mathcal{T}_2 is **orthogonal** if for all operators $o \in O$, we have $cost_i(o) = 0$ for at least one $i \in \{1, 2\}$.

Automated
(AI) Planning

Abstractions:
informally

Abstractions:
formally

PDB
heuristics

Merge &
Shrink
Abstractions

M&S
Algorithm

Additive
heuristics

Orthogonal
action counting
Action cost
partitioning
Additive
Abstractions

Structural
Patterns

Performance

Action counting orthogonality and additivity

Theorem (additivity for orthogonal abstraction mappings)

Let $h^{\mathcal{T}_1, \alpha_1}, \dots, h^{\mathcal{T}_n, \alpha_n}$ be abstraction heuristics for the same planning task Π such that action counting in \mathcal{T}_i and \mathcal{T}_j is orthogonal for all $i \neq j$.

Then $\sum_{i=1}^n h^{\mathcal{T}_i, \alpha_i}$ is a safe, goal-aware, admissible and consistent heuristic for Π .

What next?

- 1 Can we further generalize this (sufficient) condition for additivity?
- 2 If so, can it be practical?

Automated
(AI) Planning

Abstractions:
informally

Abstractions:
formally

PDB
heuristics

Merge &
Shrink
Abstractions

M&S
Algorithm

Additive
heuristics

Orthogonal
action counting
Action cost
partitioning
Additive
Abstractions

Structural
Patterns

Performance

Action counting orthogonality and additivity

Theorem (additivity for orthogonal abstraction mappings)

Let $h^{\mathcal{T}_1, \alpha_1}, \dots, h^{\mathcal{T}_n, \alpha_n}$ be abstraction heuristics for the same planning task Π such that action counting in \mathcal{T}_i and \mathcal{T}_j is orthogonal for all $i \neq j$.

Then $\sum_{i=1}^n h^{\mathcal{T}_i, \alpha_i}$ is a safe, goal-aware, admissible and consistent heuristic for Π .

What next?

- 1 Can we further **generalize** this (sufficient) condition for additivity?
- 2 If so, can it be practical?

Automated
(AI) Planning

Abstractions:
informally

Abstractions:
formally

PDB
heuristics

Merge &
Shrink
Abstractions

M&S
Algorithm

Additive
heuristics

Orthogonal
action counting
Action cost
partitioning
Additive
Abstractions

Structural
Patterns

Performance

Additive sets of heuristics

Theorem (action cost partitioning)

Let Π, Π_1, \dots, Π_k be planning tasks, identical except for the operator costs $cost, cost_1, \dots, cost_k$. Let $\{h_i\}_{i=1}^k$ be a set of arbitrary admissible heuristic functions for $\{\Pi_i\}_{i=1}^k$, respectively.

If holds $cost(o) \geq \sum_{i=1}^k cost_i(o)$ for all operators o , then $\sum_{i=1}^k h_i$ is an admissible heuristic for Π .

Automated
(AI) Planning

Abstractions:
informally

Abstractions:
formally

PDB
heuristics

Merge &
Shrink
Abstractions

M&S
Algorithm

Additive
heuristics

Orthogonal
action counting

Action cost
partitioning

Additive
Abstractions

Structural
Patterns

Performance

Additive sets of heuristics

Theorem (action cost partitioning)

Let Π, Π_1, \dots, Π_k be planning tasks, identical except for the operator costs $cost, cost_1, \dots, cost_k$. Let $\{h_i\}_{i=1}^k$ be a set of arbitrary admissible heuristic functions for $\{\Pi_i\}_{i=1}^k$, respectively.

If holds $cost(o) \geq \sum_{i=1}^k cost_i(o)$ for all operators o , then $\sum_{i=1}^k h_i$ is an admissible heuristic for Π .

Observations

- Generalizes action counting orthogonality
- No idea what partition is better? \rightsquigarrow Uniform partition?

Automated
(AI) Planning

Abstractions:
informally

Abstractions:
formally

PDB
heuristics

Merge &
Shrink
Abstractions

M&S
Algorithm

Additive
heuristics

Orthogonal
action counting

Action cost
partitioning

Additive
Abstractions

Structural
Patterns

Performance

Additive sets of heuristics

Theorem (action cost partitioning)

Let Π, Π_1, \dots, Π_k be planning tasks, identical except for the operator costs $cost, cost_1, \dots, cost_k$. Let $\{h_i\}_{i=1}^k$ be a set of arbitrary admissible heuristic functions for $\{\Pi_i\}_{i=1}^k$, respectively.

If holds $cost(o) \geq \sum_{i=1}^k cost_i(o)$ for all operators o , then $\sum_{i=1}^k h_i$ is an admissible heuristic for Π .

Observations

- Generalizes action counting orthogonality
- No idea what partition is better? \rightsquigarrow Uniform partition?
- Still, how to choose among the alternative cost partitions?

Automated
(AI) Planning

Abstractions:
informally

Abstractions:
formally

PDB
heuristics

Merge &
Shrink
Abstractions

M&S
Algorithm

Additive
heuristics

Orthogonal
action counting

Action cost
partitioning

Additive
Abstractions

Structural
Patterns

Performance

Optimal action cost partitioning

Problem statement

Given

- 1 a (costs attached) transition system \mathcal{T} ,
- 2 a set of (costs attached) abstractions $\{\mathcal{T}_i\}_{i=1}^k$ of \mathcal{T} with abstraction mappings $\{\alpha_i\}_{i=1}^k$, respectively, and
- 3 a state s in \mathcal{T} ,

determine **optimal additive heuristic** for \mathcal{T} on the basis of $\{\mathcal{T}_i\}_{i=1}^k$, that is

$$h_{\text{opt}}(s) = \max_{\{\text{cost}_i\}} \sum_{i=1}^k h_i^*(\alpha_i(s)).$$

Automated
(AI) Planning

Abstractions:
informally

Abstractions:
formally

PDB
heuristics

Merge &
Shrink
Abstractions

M&S
Algorithm

Additive
heuristics

Orthogonal
action counting

Action cost
partitioning

Additive
Abstractions

Structural
Patterns

Performance

Problems on the way

Optimal additive heuristic for \mathcal{T} on the basis of $\{\mathcal{T}_i\}_{i=1}^k$

$$h_{\text{opt}}(s) = \max_{\{cost_i\}} \sum_{i=1}^k h_i^*(\alpha_i(s)).$$

Challenges

- 1 **Infinite** space of alternative choices $\{cost_i\}_{i=1}^k$
- 2 The optimal choice is **state-dependent**
- 3 The process is fully **unsupervised**

Automated
(AI) Planning

Abstractions:
informally

Abstractions:
formally

PDB
heuristics

Merge &
Shrink
Abstractions

M&S
Algorithm

Additive
heuristics

Orthogonal
action counting

Action cost
partitioning

Additive
Abstractions

Structural
Patterns

Performance

The LP trick

Main Idea

Instead of, **given** an action cost partition $\{cost_i\}_{i=1}^k$, independently searching each abstraction \mathcal{T}_i using **dynamic programming**

- 1 compile SSSP problem over each \mathcal{T}_i into a **linear program** \mathcal{L}_i with action costs being **free variables**
- 2 **combine** $\mathcal{L}_1, \dots, \mathcal{L}_k$ with additivity constraints $cost(o) \geq \sum_{i=1}^k cost_i(a)$
- 3 solution of the joint LP $\rightsquigarrow h_{opt}(s)$

Automated
(AI) Planning

Abstractions:
informally

Abstractions:
formally

PDB
heuristics

Merge &
Shrink
Abstractions

M&S
Algorithm

Additive
heuristics

Orthogonal
action counting

Action cost
partitioning

Additive
Abstractions

Structural
Patterns

Performance

The LP trick

Main Idea

Instead of, **given** an action cost partition $\{cost_i\}_{i=1}^k$, independently searching each abstraction \mathcal{T}_i using **dynamic programming**

- 1 compile SSSP problem over each \mathcal{T}_i into a **linear program** \mathcal{L}_i with action costs being **free variables**
- 2 **combine** $\mathcal{L}_1, \dots, \mathcal{L}_k$ with additivity constraints $cost(o) \geq \sum_{i=1}^k cost_i(a)$
- 3 solution of the joint LP $\rightsquigarrow h_{opt}(s)$

Automated
(AI) Planning

Abstractions:
informally

Abstractions:
formally

PDB
heuristics

Merge &
Shrink
Abstractions

M&S
Algorithm

Additive
heuristics

Orthogonal
action counting
Action cost
partitioning
Additive
Abstractions

Structural
Patterns

Performance

Single-Source Shortest Paths: LP Formulation

LP formulation

Given: digraph $G = (N, E)$, source node $v \in N$

LP variables: $d(v') \rightsquigarrow$ shortest-path length from v to v'

LP:

$$\max_{\vec{d}(\cdot)} \sum_{v'} d(v')$$

$$\text{s.t. } d(v) = 0$$

$$d(v'') \leq d(v') + w(v', v''), \quad \forall (v', v'') \in E$$

Automated
(AI) Planning

Abstractions:
informally

Abstractions:
formally

PDB
heuristics

Merge &
Shrink
Abstractions

M&S
Algorithm

Additive
heuristics

Orthogonal
action counting

Action cost
partitioning

Additive
Abstractions

Structural
Patterns

Performance

Step 1: Compile each SSSP over \mathcal{T}_i into \mathcal{L}_i

LP formulation

Given: abstraction \mathcal{T}_i , state s of concrete system \mathcal{T}

LP variables: $\{d(s') \mid s' \in S_i\} \cup \{d(G_i)\} \cup \{cost(o, i)\}$

LP:

$$\max d(G_i)$$

$$\text{s.t.} \quad \begin{cases} d(s') \leq d(s'') + cost(o, i), & \forall \langle s', o, s'' \rangle \in \mathcal{T}_i \\ d(s') = 0, & s' = \alpha_i(s) \\ d(G_i) \leq d(s'), & s' \in G(i) \end{cases}$$

Automated
(AI) Planning

Abstractions:
informally

Abstractions:
formally

PDB
heuristics

Merge &
Shrink
Abstractions

M&S
Algorithm

Additive
heuristics

Orthogonal
action counting

Action cost
partitioning

Additive
Abstractions

Structural
Patterns

Performance

Step 2: Properly combine $\{\mathcal{L}_i\}_{i=1}^k$

LP formulation

Given: abstractions $\{\mathcal{T}_i\}_{i=1}^k$ state s of \mathcal{T}

LP variables: $\bigcup_{i=1}^k \{d(s') \mid s' \in S_i\} \cup \{d(G_i)\} \cup \{cost(o, i)\}$

LP:

$$\max \sum_{i=1}^k d(G_i)$$

$$\text{s.t. } \forall i \begin{cases} d(s') \leq d(s'') + cost(o, i), & \forall \langle s', o, s'' \rangle \in \mathcal{T}_i \\ d(s') = 0, & s' = \alpha_i(s) \\ d(G_i) \leq d(s'), & s' \in G(i) \end{cases}$$

$$\forall o \in O : cost(o) \geq \sum_{i=1}^k cost(o, i)$$

Automated
(AI) Planning

Abstractions:
informally

Abstractions:
formally

PDB
heuristics

Merge &
Shrink
Abstractions

M&S
Algorithm

Additive
heuristics

Orthogonal
action counting

Action cost
partitioning

Additive
Abstractions

Structural
Patterns

Performance

Outline

- 1 Abstractions informally
- 2 Abstractions formally
- 3 Projection abstractions (PDBs)
- 4 Merge-and-shrink abstractions
- 5 Generalized additive heuristics
- 6 **Structural-pattern abstractions**

Automated
(AI) Planning

Abstractions:
informally

Abstractions:
formally

PDB
heuristics

Merge &
Shrink
Abstractions

M&S
Algorithm

Additive
heuristics

Orthogonal
action counting

Action cost
partitioning

Additive
Abstractions

Structural
Patterns

Performance

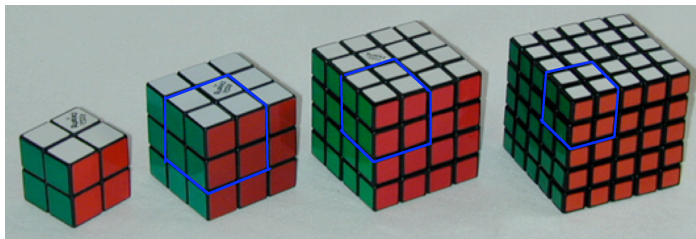
Limitations of Explicit Abstractions

Both PDBs and merge-and-shrink are **explicit abstractions**:
abstract spaces are searched **exhaustively**

PDBs dimensionality = $O(1)$, size of the abstract space is $O(1)$

M&S dimensionality = $\Theta(|V|)$, size of the abstract space is $O(1)$

↪ (often) price in heuristic accuracy in long-run



Automated
(AI) Planning

Abstractions:
informally

Abstractions:
formally

PDB
heuristics

Merge &
Shrink
Abstractions

M&S
Algorithm

Additive
heuristics

Structural
Patterns

Implicit
Abstractions

Performance

Abstractions: Extending the definition

Definition (abstraction, abstraction mapping)

Let $\mathcal{T} = \langle S, L, T, I, G, \rangle$ and $\mathcal{T}' = \langle S', L', T', I', G', \rangle$ be transition systems with the same label set $L = L'$, and let $\alpha : S \rightarrow S'$.

We say that \mathcal{T}' is **an abstraction of \mathcal{T} with abstraction mapping α** if

- for all $s \in I$, we have $\alpha(s) \in I'$,
- for all $s \in G$, we have $\alpha(s) \in G'$, and
- for all $\langle s, l, t \rangle \in T$, we have $\langle \alpha(s), l, \alpha(t) \rangle \in T'$.

Automated
(AI) Planning

Abstractions:
informally

Abstractions:
formally

PDB
heuristics

Merge &
Shrink
Abstractions

M&S
Algorithm

Additive
heuristics

Structural
Patterns

Implicit
Abstractions

Performance

Abstractions: Extending the definition

Definition (abstraction, abstraction mapping)

Let $\mathcal{T} = \langle S, L, T, I, G, \mathcal{C} \rangle$ and $\mathcal{T}' = \langle S', L', T', I', G', \mathcal{C}' \rangle$ be transition systems with the same label set $L = L'$, $\mathcal{C} : S \rightarrow \mathbb{R}^{0+}$, $\mathcal{C}' : S' \rightarrow \mathbb{R}^{0+}$, and let $\alpha : S \rightarrow S'$.

We say that \mathcal{T}' is **an abstraction of \mathcal{T} with abstraction mapping α** if

- for all $s \in I$, we have $\alpha(s) \in I'$,
- for all $s \in G$, we have $\alpha(s) \in G'$, and
- for all $\langle s, l, t \rangle \in T$, we have $h^*(\alpha(s), \alpha(t)) \leq \mathcal{C}(l)$.

Automated
(AI) Planning

Abstractions:
informally

Abstractions:
formally

PDB
heuristics

Merge &
Shrink
Abstractions

M&S
Algorithm

Additive
heuristics

Structural
Patterns

Implicit
Abstractions

Performance

Structural Abstraction Heuristics: Main Idea

Objective (departing from PDBs)

Instead of perfectly reflecting **a few** state variables, reflect **many** (up to $\Theta(|V|)$) state variables, BUT

- ♠ guarantee abstract space can be searched (**implicitly**) in **poly-time**

Automated
(AI) Planning

Abstractions:
informally

Abstractions:
formally

PDB
heuristics

Merge &
Shrink
Abstractions

M&S
Algorithm

Additive
heuristics

Structural
Patterns

Implicit
Abstractions

Performance

Structural Abstraction Heuristics: Main Idea

Objective (departing from PDBs)

Instead of perfectly reflecting a few state variables, reflect many (up to $\Theta(|V|)$) state variables, BUT

- ♠ guarantee abstract space can be searched (**implicitly**) in **poly-time**

How

Abstracting Π by an instance of a **tractable fragment** of cost-optimal planning

- ☹ not many such known tractable fragments
- ☺ should find more, and useful for us!

Automated
(AI) Planning

Abstractions:
informally

Abstractions:
formally

PDB
heuristics

Merge &
Shrink
Abstractions

M&S
Algorithm

Additive
heuristics

Structural
Patterns

Implicit
Abstractions

Performance

Structural Abstraction Heuristics: Main Idea

Objective (departing from PDBs)

Instead of perfectly reflecting a few state variables, reflect many (up to $\Theta(|V|)$) state variables, BUT

- ♠ guarantee abstract space can be searched (implicitly) in poly-time

How

Abstracting Π by an instance of a **tractable fragment** of cost-optimal planning

- ☹ not many such known tractable fragments
- 😊 should find more, and useful for us!

Automated
(AI) Planning

Abstractions:
informally

Abstractions:
formally

PDB
heuristics

Merge &
Shrink
Abstractions

M&S
Algorithm

Additive
heuristics

Structural
Patterns

Implicit
Abstractions

Performance

Here Come the Forks!



Automated
(AI) Planning

Abstractions:
informally

Abstractions:
formally

PDB
heuristics

Merge &
Shrink
Abstractions

M&S
Algorithm

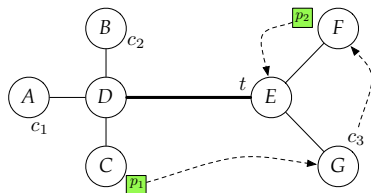
Additive
heuristics

Structural
Patterns

Implicit
Abstractions

Performance

Running Example



$$V = \{p_1, p_2, c_1, c_2, c_3, t\}$$

$$\text{dom}(p_1) = \text{dom}(p_2) = \{A, B, C, D, E, F, G, c_1, c_2, c_3, t\}$$

$$\text{dom}(c_1) = \text{dom}(c_2) = \{A, B, C, D\}$$

$$\text{dom}(c_3) = \{E, F, G\}$$

$$\text{dom}(t) = \{D, E\}$$

$$s^0, G \mapsto \text{see picture}$$

$$A \mapsto \text{loads, unloads, single-segment movements}$$

Automated
(AI) Planning

Abstractions:
informally

Abstractions:
formally

PDB
heuristics

Merge &
Shrink
Abstractions

M&S
Algorithm

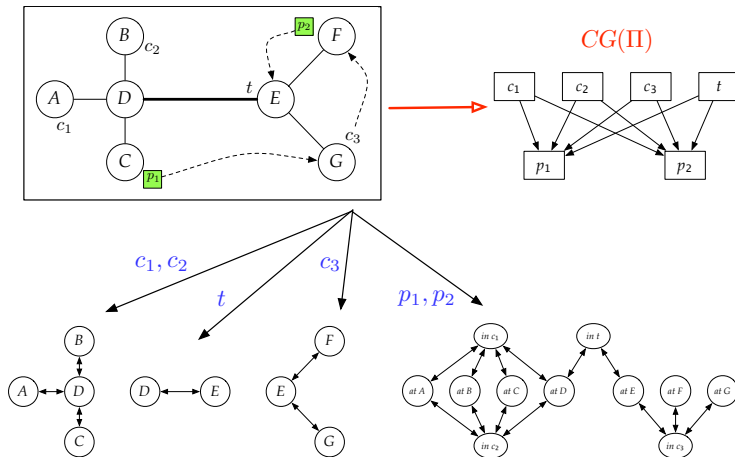
Additive
heuristics

Structural
Patterns

Implicit
Abstractions

Performance

Causal Graph + Domain Transition Graphs



Automated
(AI) Planning

Abstractions:
informally

Abstractions:
formally

PDB
heuristics

Merge &
Shrink
Abstractions

M&S
Algorithm

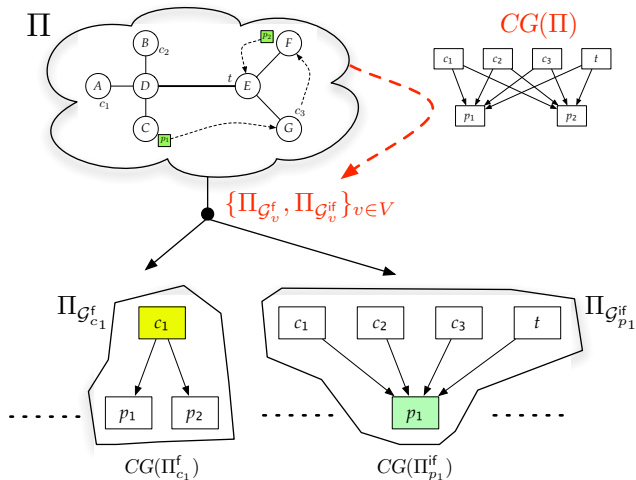
Additive
heuristics

Structural
Patterns

Implicit
Abstractions

Performance

Fork-Decomposition (Additive Abstractions)



+ ensuring proper **action cost partitioning**

Automated
(AI) Planning

Abstractions:
informally

Abstractions:
formally

PDB
heuristics

Merge &
Shrink
Abstractions

M&S
Algorithm

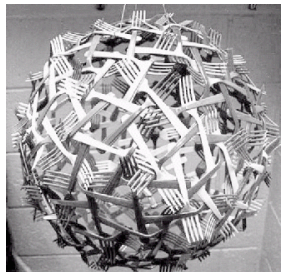
Additive
heuristics

Structural
Patterns

Implicit
Abstractions

Performance

Action Cost Partitioning = Gluing Things Together



Automated
(AI) Planning

Abstractions:
informally

Abstractions:
formally

PDB
heuristics

Merge &
Shrink
Abstractions

M&S
Algorithm

Additive
heuristics

Structural
Patterns

Implicit
Abstractions

Performance

Works?

Problem!

Forks and Inverted Forks are Hard ...

- ☹ Even non-optimal planning for problems with fork and inverted fork causal graphs is **NP-complete** (D & Dinitz, 2001).
- ☹ Even if the domain-transition graphs of all variables are strongly connected, optimal planning for forks and inverted forks remains **NP-hard** (Helmert, 2003-04).

~> Shall we give up?



Automated
(AI) Planning

Abstractions:
informally

Abstractions:
formally

PDB
heuristics

Merge &
Shrink
Abstractions

M&S
Algorithm

Additive
heuristics

Structural
Patterns

Implicit
Abstractions

Performance

Tractable Cases of Planning with Forks

Theorem (forks)

Cost-optimal planning for *fork* problems with root $r \in V$ is *poly-time* if $|dom(r)| = 2$.

Theorem (inverted forks)

Cost-optimal planning for *inverted fork* problems with root $r \in V$ is *poly-time* if $|dom(r)| = O(1)$.

Automated
(AI) Planning

Abstractions:
informally

Abstractions:
formally

PDB
heuristics

Merge &
Shrink
Abstractions

M&S
Algorithm

Additive
heuristics

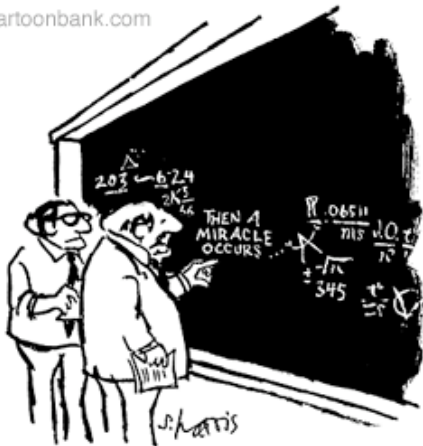
Structural
Patterns

Implicit
Abstractions

Performance

Tractable Cases of Planning with Forks

© Cartoonbank.com



"I think you should be more explicit here in step two."

Automated
(AI) Planning

Abstractions:
informally

Abstractions:
formally

PDB
heuristics

Merge &
Shrink
Abstractions

M&S
Algorithm

Additive
heuristics

Structural
Patterns

Implicit
Abstractions

Performance

Theorem (inverted forks)

Theorem (inverted forks)

Cost-optimal planning for inverted fork problems with root $r \in V$ is poly-time if $|dom(r)| = d = O(1)$.

Proof sketch (Construction)

- (1) Create all $\Theta(d^d)$ cycle-free paths from $s^0[r]$ to $G[r]$ in $DTG(r, \Pi)$.
- (2) For each $u \in \text{pred}(r)$, and each $x, y \in \text{dom}(u)$, compute the cost-minimal path from x to y in $DTG(u, \Pi)$.
- (3) For each path in $DTG(r, \Pi)$ generated in step (1), construct a plan for Π based on that path for r , and the shortest paths computed in (2).
- (4) Take minimal cost plan from (3).

Automated
(AI) Planning

Abstractions:
informally

Abstractions:
formally

PDB
heuristics

Merge &
Shrink
Abstractions

M&S
Algorithm

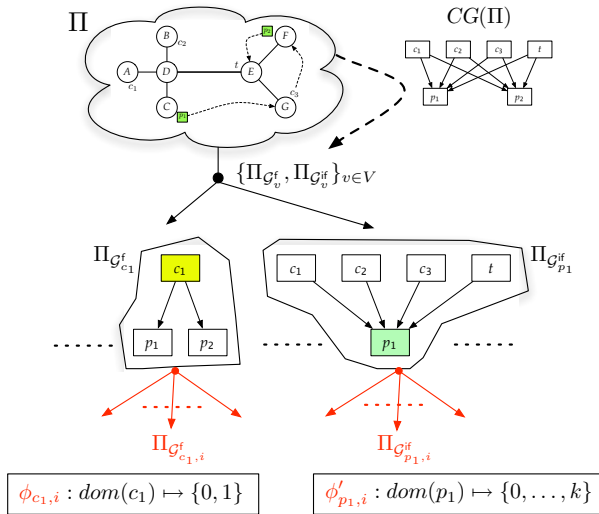
Additive
heuristics

Structural
Patterns

Implicit
Abstractions

Performance

Mixing Causal-Graph & Variable-Domain Decompositions



Automated
(AI) Planning

Abstractions:
informally

Abstractions:
formally

PDB
heuristics

Merge &
Shrink
Abstractions

M&S
Algorithm

Additive
heuristics

Structural
Patterns

Implicit
Abstractions

Performance

+ ensuring proper **action cost partitioning**

Planning / Logistics-00

Expanded nodes

#	h^*	HHH_{10^5}		h^3		$h^{99} + \text{opt}$	
		nodes	time	nodes	time	nodes	time
01	20	21	0.05	21	10.49	21	20.82
02	19	20	0.04	20	10.4	20	20.36
03	15	16	0.05	16	5.18	16	10.85
04	27	28	0.33	28	22.81	28	47.42
05	17	18	0.34	18	11.72	18	21.63
06	8	9	0.33	9	2.99	9	8.89
07	25	26	1.11	26	26.88	26	53.81
08	14	15	1.12	15	10.37	15	21.19
09	25	26	1.14	26	27.78	26	51.52
10	36	37	4.55	37	426.07	37	973.46
11	44	2460	4.65	1689	14259.8	45	1355.23
12	31	32	6.5	32	374.48	32	876.9
13	44	7514	6.84	45	702.29	45	1621.74
14	36	37	8.94	37	474.8	37	1153.85
15	30	31	8.84	31	448.86	31	1052.46
16	45	29319	17.35	46	3517.25	46	7635.96
17	42	1561610	45.61	43	3297.69	43	7192.51
18	48	199428	24.95			49	10014.3
19	60					61	15625.5
20	42	6095	24.9	43	4325.45	43	9470.85
21	68					69	22928.4

Automated
(AI) Planning

Abstractions:
informally

Abstractions:
formally

PDB
heuristics

Merge &
Shrink
Abstractions

M&S
Algorithm

Additive
heuristics

Structural
Patterns

Performance

Planning / Logistics-00

Expanded nodes and Time

#	h^*	HHH_{10^5}		h^3		$h^{99} + \text{opt}$	
		nodes	time	nodes	time	nodes	time
01	20	21	0.05	21	10.49	21	20.82
02	19	20	0.04	20	10.4	20	20.36
03	15	16	0.05	16	5.18	16	10.85
04	27	28	0.33	28	22.81	28	47.42
05	17	18	0.34	18	11.72	18	21.63
06	8	9	0.33	9	2.99	9	8.89
07	25	26	1.11	26	26.88	26	53.81
08	14	15	1.12	15	10.37	15	21.19
09	25	26	1.14	26	27.78	26	51.52
10	36	37	4.55	37	426.07	37	973.46
11	44	2460	4.65	1689	14259.8	45	1355.23
12	31	32	6.5	32	374.48	32	876.9
13	44	7514	6.84	45	702.29	45	1621.74
14	36	37	8.94	37	474.8	37	1153.85
15	30	31	8.84	31	448.86	31	1052.46
16	45	29319	17.35	46	3517.25	46	7635.96
17	42	1561610	45.61	43	3297.69	43	7192.51
18	48	199428	24.95			49	10014.3
19	60					61	15625.5
20	42	6095	24.9	43	4325.45	43	9470.85
21	68					69	22928.4

Automated
(AI) Planning

Abstractions:
informally

Abstractions:
formally

PDB
heuristics

Merge &
Shrink
Abstractions

M&S
Algorithm

Additive
heuristics

Structural
Patterns

Performance

Planning / Logistics-00

Shall we redefine the notion of success?...

#	h^*	HHH_{10^5}		h^3		♠	$h^{99} + \text{opt}$	
		nodes	time	nodes	time		nodes	time
01	20	21	0.05	21	10.49		21	20.82
02	19	20	0.04	20	10.4		20	20.36
03	15	16	0.05	16	5.18		16	10.85
04	27	28	0.33	28	22.81		28	47.42
05	17	18	0.34	18	11.72		18	21.63
06	8	9	0.33	9	2.99		9	8.89
07	25	26	1.11	26	26.88		26	53.81
08	14	15	1.12	15	10.37		15	21.19
09	25	26	1.14	26	27.78		26	51.52
10	36	37	4.55	37	426.07		37	973.46
11	44	2460	4.65	1689	14259.8		45	1355.23
12	31	32	6.5	32	374.48		32	876.9
13	44	7514	6.84	45	702.29		45	1621.74
14	36	37	8.94	37	474.8		37	1153.85
15	30	31	8.84	31	448.86		31	1052.46
16	45	29319	17.35	46	3517.25		46	7635.96
17	42	1561610	45.61	43	3297.69		43	7192.51
18	48	199428	24.95				49	10014.3
19	60						61	15625.5
20	42	6095	24.9	43	4325.45		43	9470.85
21	68						69	22928.4

Automated
(AI) Planning

Abstractions:
informally

Abstractions:
formally

PDB
heuristics

Merge &
Shrink
Abstractions

M&S
Algorithm

Additive
heuristics

Structural
Patterns

Performance

Planning / Logistics-00

No. Structural pattern databases!

#	h^*	HHH_{10^5}		h^3			$h^{33} + \text{opt}$	
		nodes	time	nodes	time	♠	nodes	time
01	20	21	0.05	21	10.49	0.27	21	20.82
02	19	20	0.04	20	10.4	0.27	20	20.36
03	15	16	0.05	16	5.18	0.27	16	10.85
04	27	28	0.33	28	22.81	0.33	28	47.42
05	17	18	0.34	18	11.72	0.33	18	21.63
06	8	9	0.33	9	2.99	0.33	9	8.89
07	25	26	1.11	26	26.88	0.41	26	53.81
08	14	15	1.12	15	10.37	0.43	15	21.19
09	25	26	1.14	26	27.78	0.41	26	51.52
10	36	37	4.55	37	426.07	3.96	37	973.46
11	44	2460	4.65	1689	14259.8	4.25	45	1355.23
12	31	32	6.5	32	374.48	4.68	32	876.9
13	44	7514	6.84	45	702.29	4.63	45	1621.74
14	36	37	8.94	37	474.8	5.12	37	1153.85
15	30	31	8.84	31	448.86	5.12	31	1052.46
16	45	29319	17.35	46	3517.25	24.73	46	7635.96
17	42	1561610	45.61	43	3297.69	24.13	43	7192.51
18	48	199428	24.95	697		24.73	49	10014.3
19	60			21959		33.61	61	15625.5
20	42	6095	24.9	43	4325.45	29.61	43	9470.85
21	68			106534		61.54	69	22928.4

Automated
(AI) Planning

Abstractions:
informally

Abstractions:
formally

PDB
heuristics

Merge &
Shrink
Abstractions

M&S
Algorithm

Additive
heuristics

Structural
Patterns

Performance

Empirical Evaluation

domain	solved	h^G	h^J	h^{GJ}	MS_{10^4}	MS_{10^5}	HSP^*_F	Gamer	blind	h_{max}
airport	20	16	17	16	16	16	15	11	17	20
blocks	30	21	18	18	18	20	30	30	18	18
depots	7	7	4	4	7	4	4	4	4	4
driverlog	12	11	12	11	12	12	9	11	7	8
freecell	5	5	4	4	5	1	5	2	4	5
grid	2	1	1	1	2	2	0	2	1	2
gripper	20	7	7	7	7	7	6	20	7	7
logistics	22	22	16	16	16	21	16	20	10	10
logistics	7	6	4	5	4	5	3	6	2	2
miconic	85	51	50	50	54	55	45	85	50	50
mprime	25	21	18	21	21	12	8	9	19	24
mystery	20	20	16	20	16	12	11	8	17	17
openstacks	7	7	7	7	7	7	7	7	7	7
pathways	4	4	4	4	3	4	4	4	4	4
pipes-notank	22	14	15	14	20	12	13	11	14	17
pipes-tank	14	10	9	7	13	7	7	6	10	10
psr-small	50	48	49	48	50	50	50	47	48	49
rovers	7	6	7	6	6	7	6	5	5	6
satellite	6	6	6	6	6	6	5	6	4	5
schedule	44	43	34	39	20	0	11	3	28	30
tpp	6	6	6	6	6	6	5	5	5	6
trucks	9	6	7	7	6	5	9	3	5	7
zenotravel	11	11	11	11	11	11	8	10	7	8
solved	435	349	322	328	326	282	277	315	293	316

Automated
(AI) Planning

Abstractions:
informally

Abstractions:
formally

PDB
heuristics

Merge &
Shrink
Abstractions

M&S
Algorithm

Additive
heuristics

Structural
Patterns

Performance